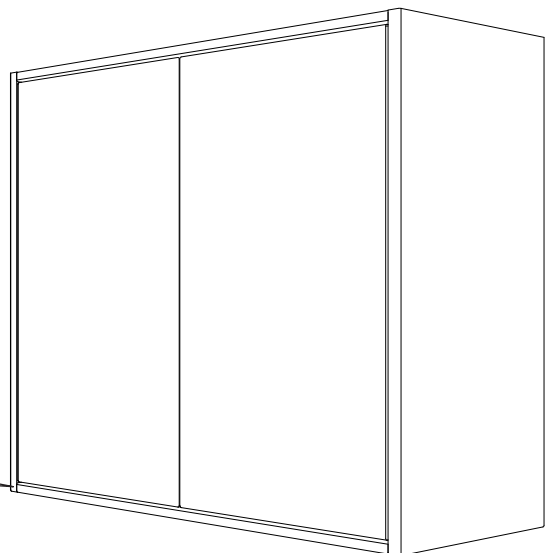
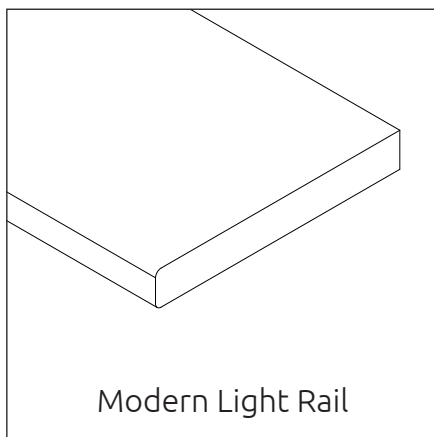
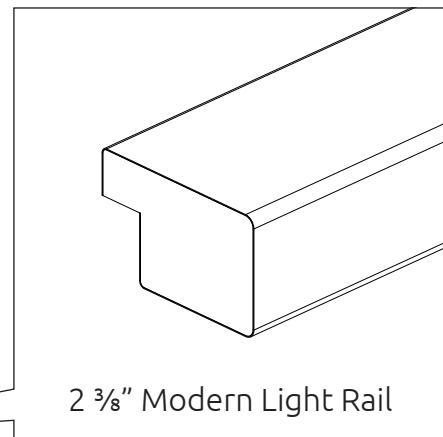
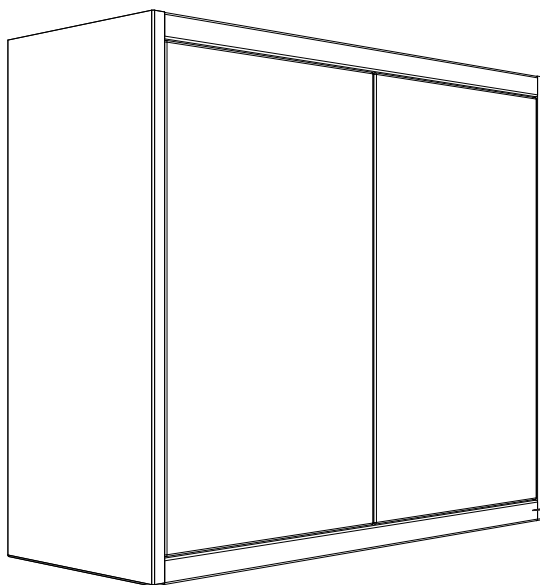
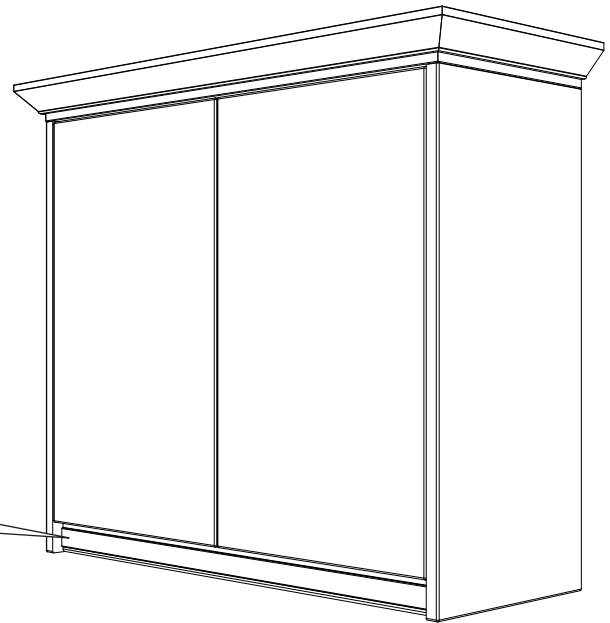
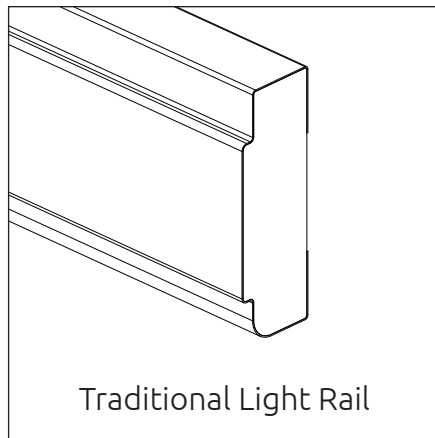


# ACCESSORIES

## Light Rail Fitting Guide

wren



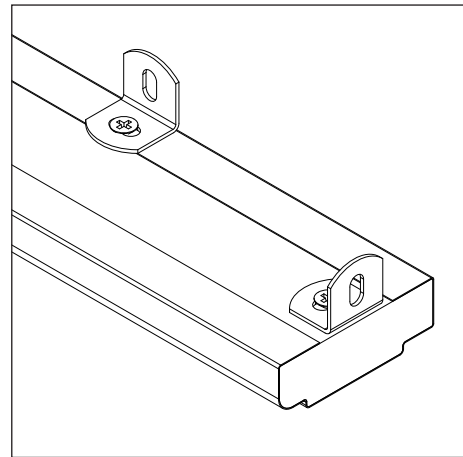
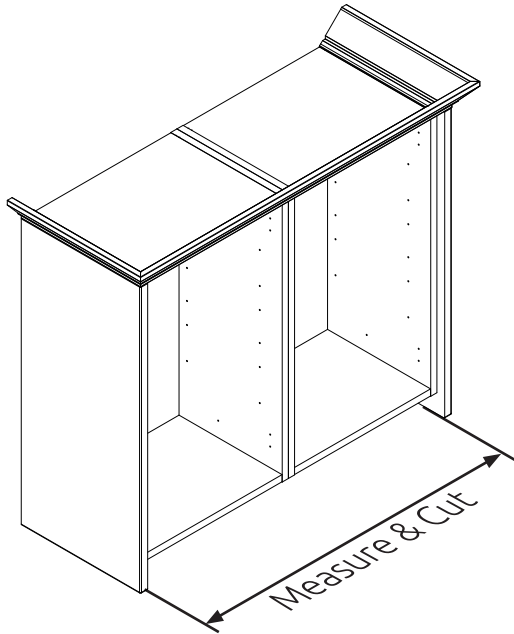
## Traditional Light Rail Fitting Guide

### Step 1.

Measure the distance between the two decor end panels on the inside face. Apply measurement to the light rail and cut to size.

### Step 2.

On the rear face at the top and sides of the light rail, secure L Bracket using 1 x 5/8" screw per L bracket. Number of L Brackets required will vary depending on the number of cabinets the light rail goes across.

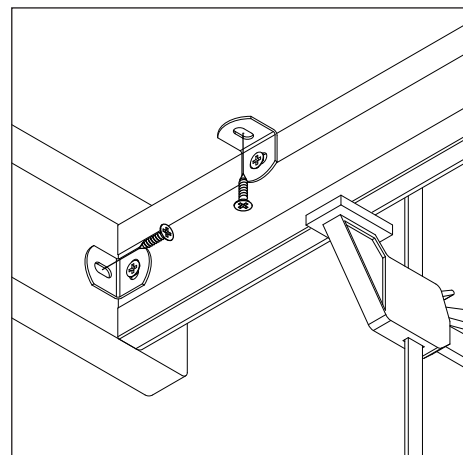
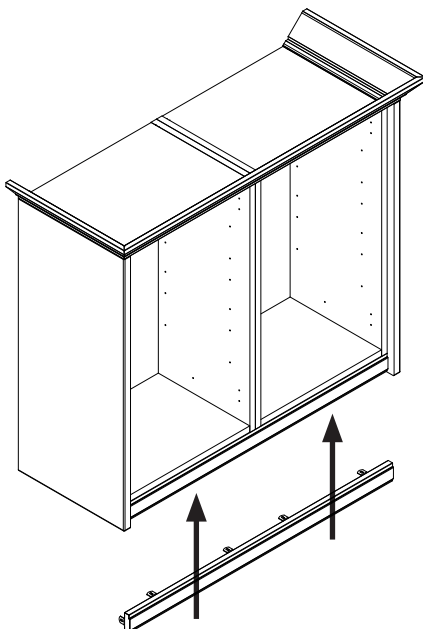
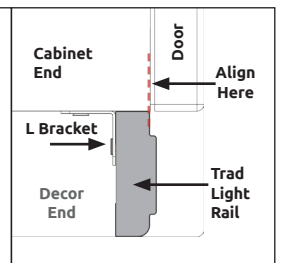


### Step 3.

Position the light rail in place on the bottom of the cabinet and align with the front of the cabinet as shown. The flat section goes to the top and curved section goes to the bottom, hold in place temporarily with clamps.

### Step 4.

Secure in position with 1 x 5/8" screw per L Bracket.



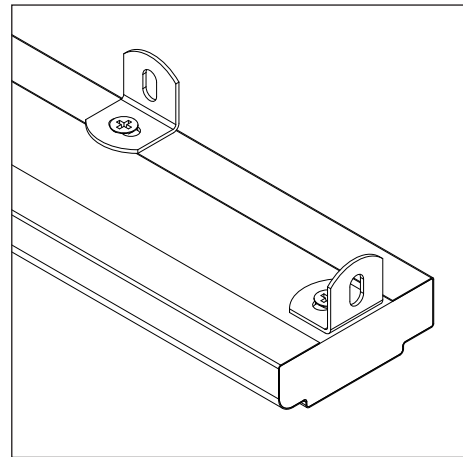
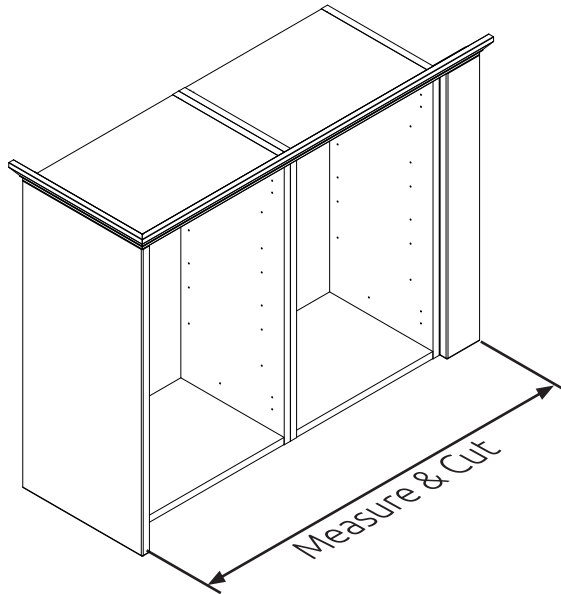
## Traditional Light Rail To Wall Fitting Guide

### Step 1.

Measure the distance between the decor end panel on the inside face and the wall. Apply measurement to light rail and cut to size.

### Step 2.

On the rear face at the top and side of the light rail, secure L Bracket using 1 x 5/8" screw per L bracket. Number of L Brackets required will vary depending on the number of cabinets the light rail goes across.

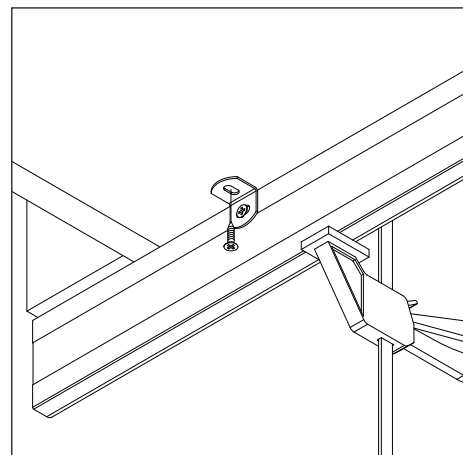
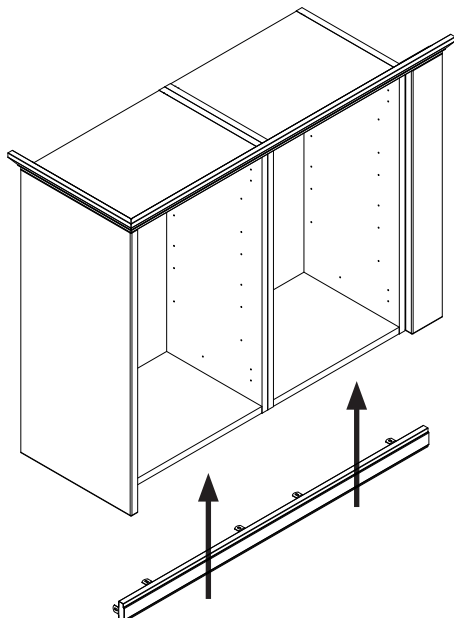
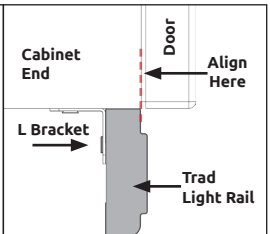


### Step 3.

Position the light rail in place on the bottom of the cabinet and align with the front of the cabinet as shown. The flat section goes to the top and curved section goes to the bottom, hold in place temporarily with clamps.

### Step 4.

Secure in position with 1 x 5/8" screw per L Bracket.



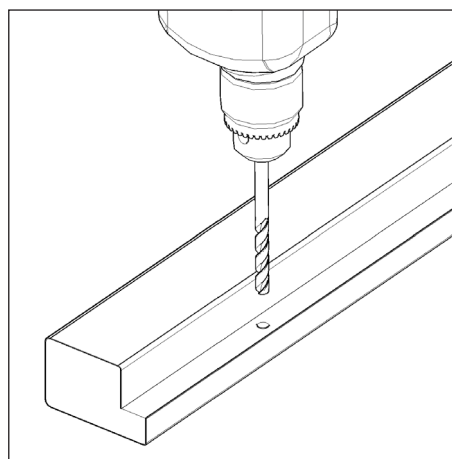
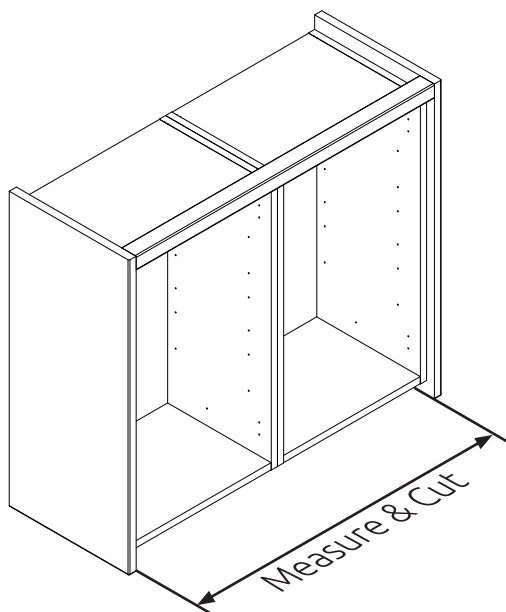
## 2 3/8" Modern Light Rail Fitting Guide

### Step 1.

Measure the distance between the two decor end panels on the inside face. Apply measurement to the light rail and cut to size.

### Step 2.

Drill pilot holes in to the light rail.

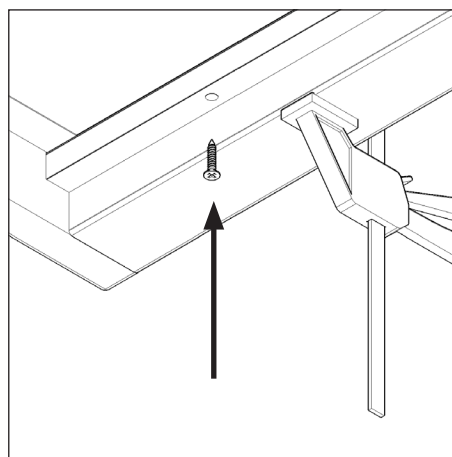
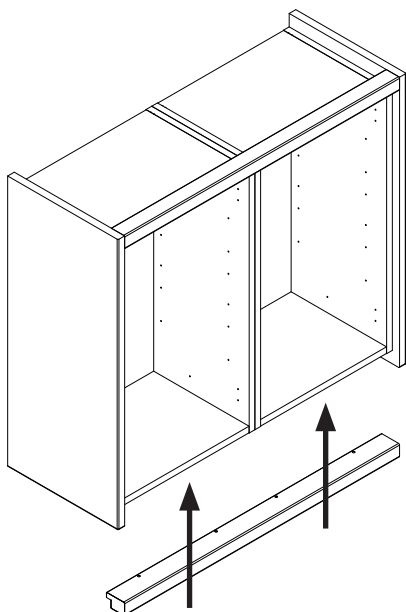
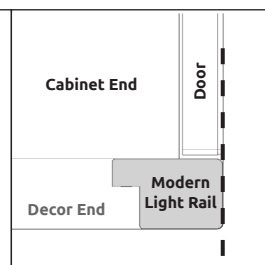


### Step 3.

Position the light rail in place on the bottom of the cabinet and hold in place temporarily with clamps. Align the light rail with the front of the cabinet door.

### Step 4.

Secure in position with 3/4" screws. Number of screws required will vary depending on the number of cabinets the light rail goes across.



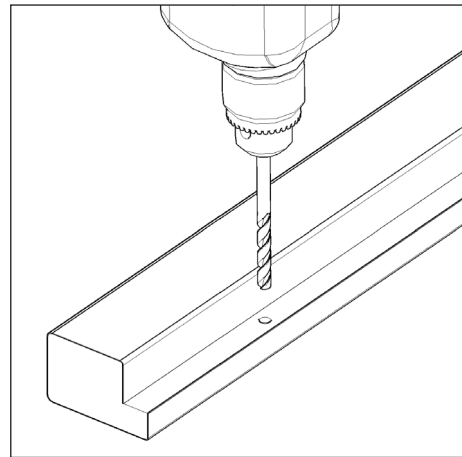
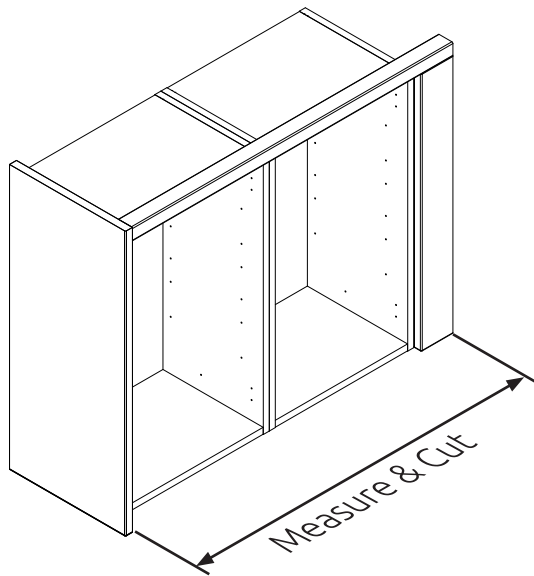
## 2 3/8" Modern Light Rail To Wall Fitting Guide

### Step 1.

Measure the distance between the decor end panel on the inside face and the wall. Apply measurement to light rail and cut to size.

### Step 2.

Drill pilot holes in to the light rail.



### Step 3.

Position the light rail in place on the bottom of the cabinet and hold in place temporarily with clamps. Align the light rail with the front of the cabinet door.

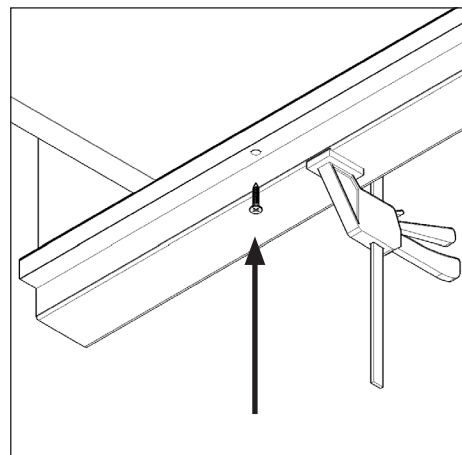
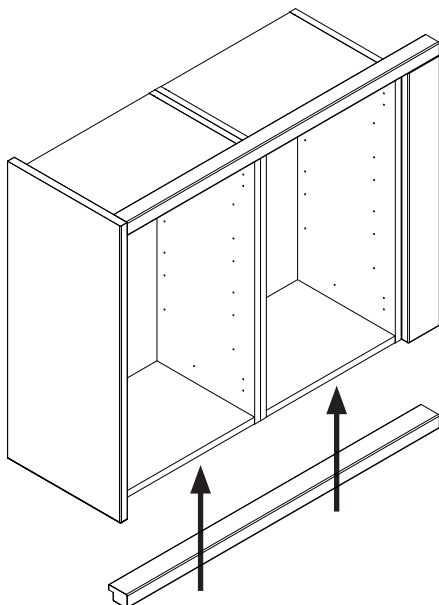
### Step 4.

Secure in position with 3/4" screws. Number of screws required will vary depending on the number of cabinets the light rail goes across.

Cabinet End

Door

Modern  
Light Rail



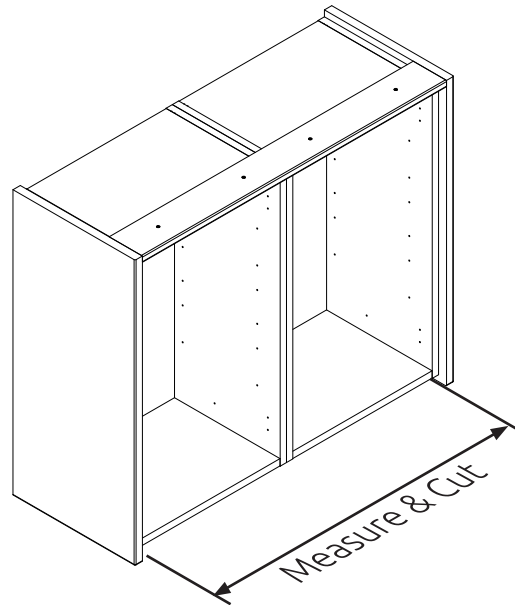
# ACCESSORIES

## Modern Light Rail Fitting Guide

wren

### Step 1.

Measure the distance between the two decor end panels on the inside face. Apply measurement to the light rail and cut to size.

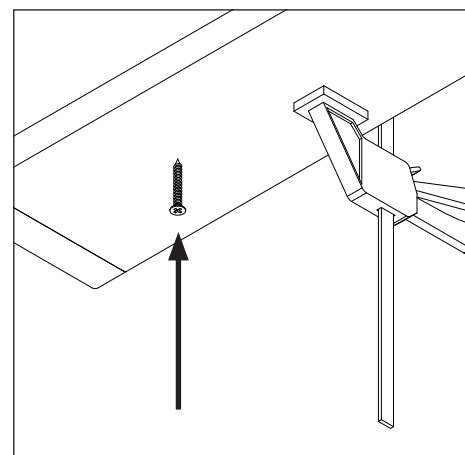
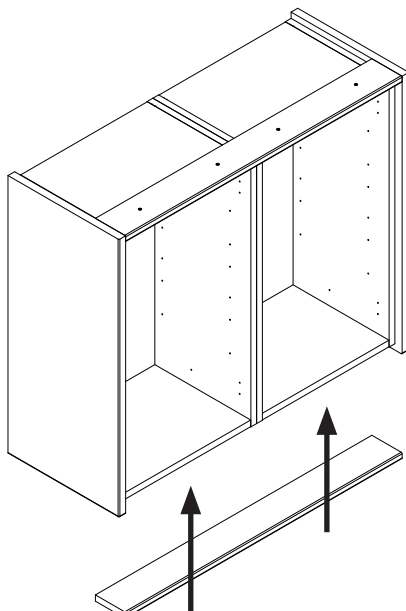
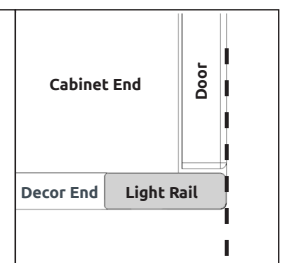


### Step 2.

Position the light rail in place on the bottom of the cabinet and hold in place temporarily with clamps. Align the light rail with the front of the cabinet door.

### Step 3.

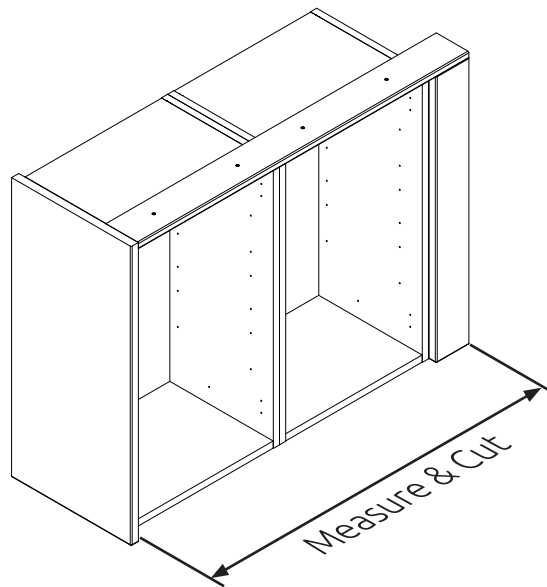
Secure in position with 3/4" screws. Number of screws required will vary depending on the number of cabinets the light rail goes across.



## Modern Light Rail To Wall Fitting Guide

### Step 1.

Measure the distance between the decor end panel on the inside face and the wall. Apply measurement to light rail and cut to size.



### Step 2.

Position the light rail in place on the bottom of the cabinet and hold in place temporarily with clamps. Align the light rail with the front of the cabinet door.

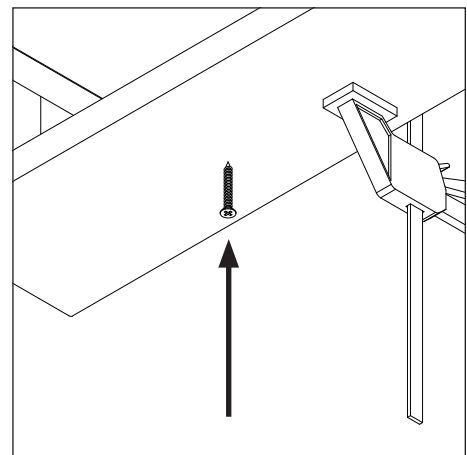
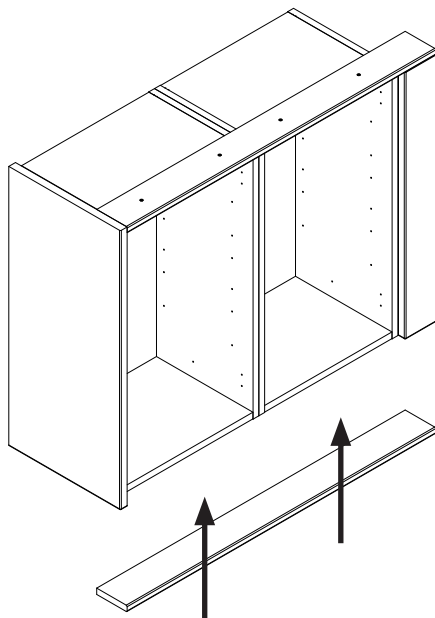
### Step 3.

Secure in position with 3/4" screws. Number of screws required will vary depending on the number of cabinets the light rail goes across.

Cabinet End

Door

Light Rail



**wren**