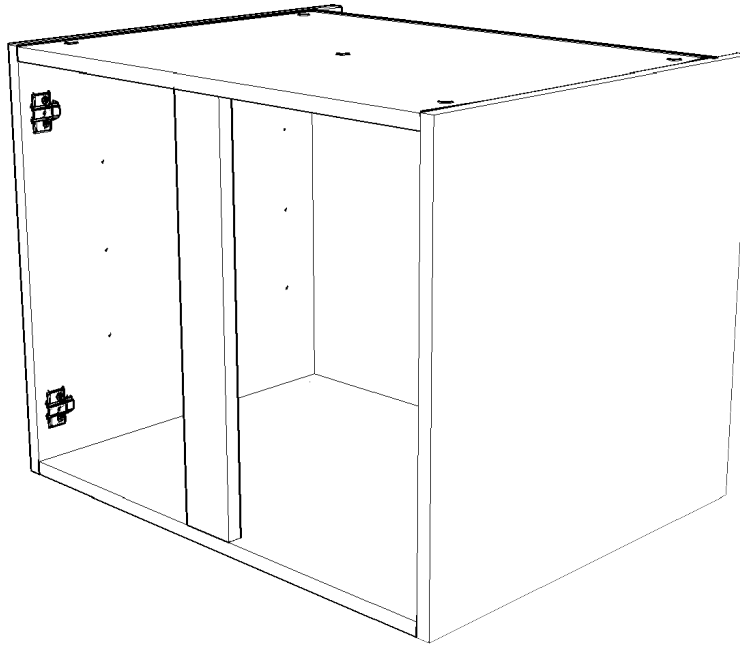
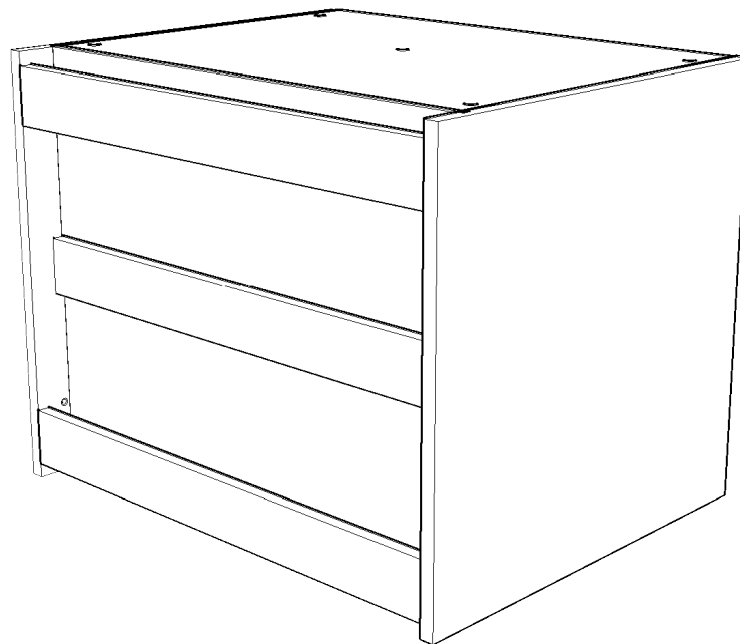


WALL CABINET

DEEP BRIDGING CABINET FITTING GUIDE



Front View



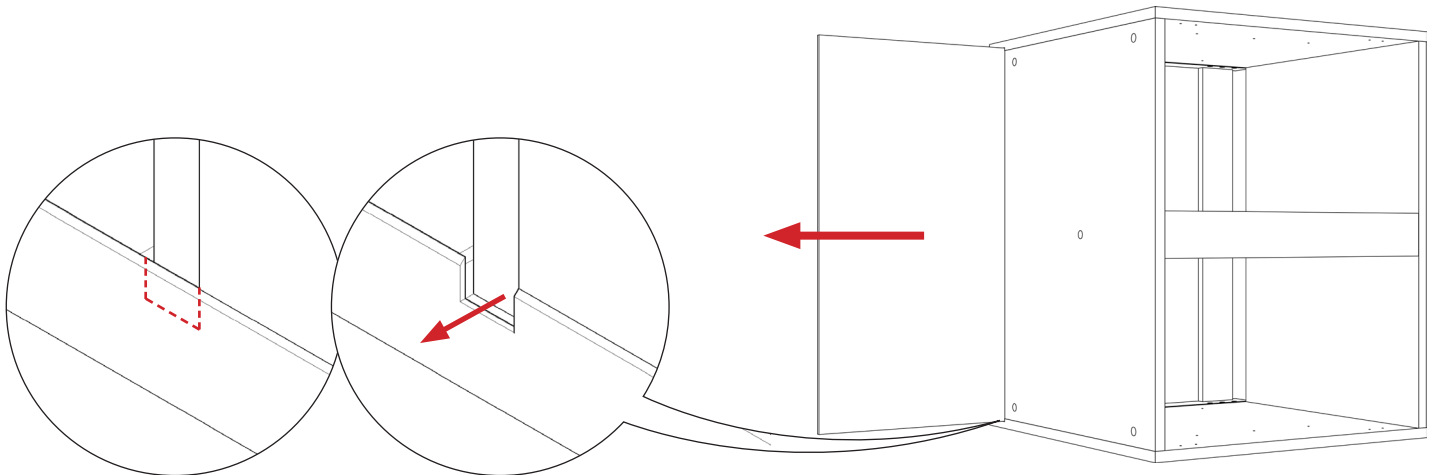
Back View

WALL CABINET

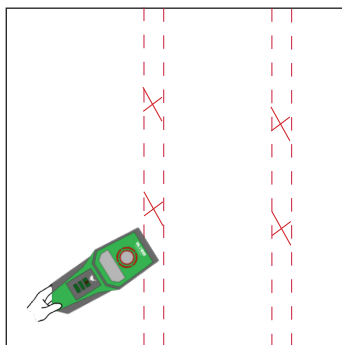
DEEP BRIDGING CABINET FITTING GUIDE

Step 1.

Turn the cabinet onto its side. On underside of the cabinet notch the edgebanding covering the rebate for the back panel on both sides. Remove the back panel from of the cabinet.



Screws and Fixings for attaching to walls are not provided as these vary depending on wall material and construction. Ensure appropriate fixings for wall construction are used.

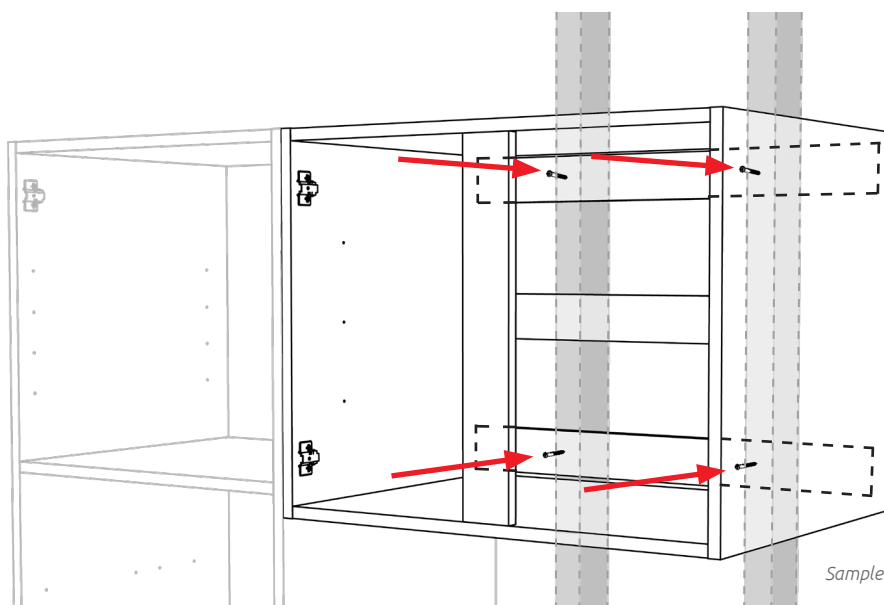
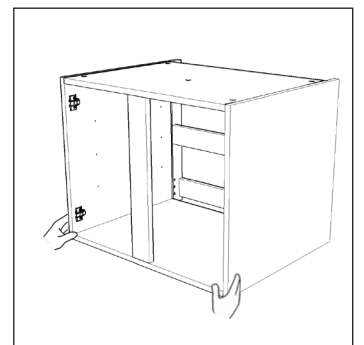


Step 2.

Use a stud finder to locate appropriate studs to use. Place a mark centrally on the identified stud at the appropriate fixing heights.

Step 3.

Offer cabinet to wall securing in place with two fixing points in both the top and bottom hanging rail, using either the wall stud where possible, or suitable fixings.



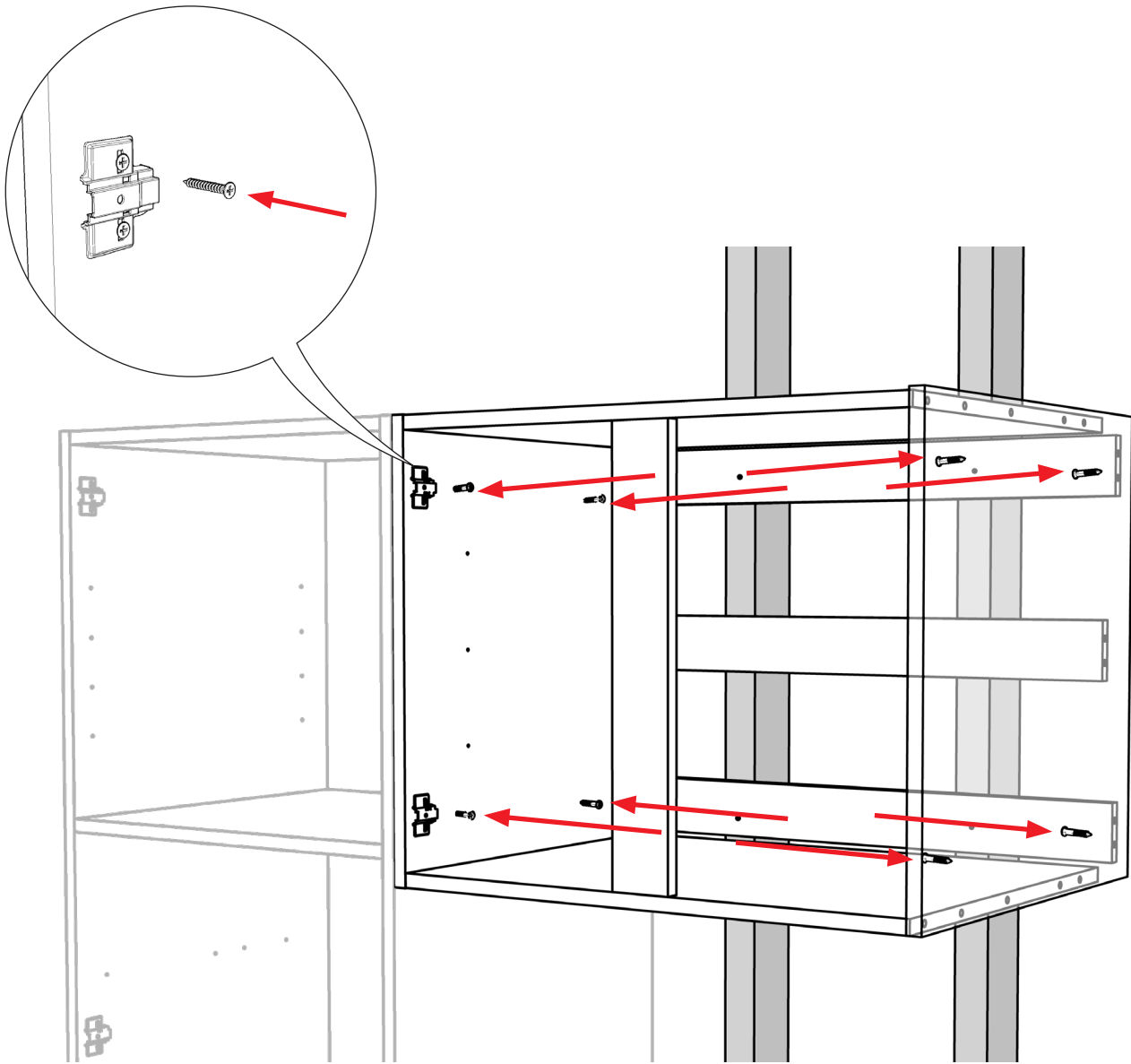
Sample Cabinet Shown

WALL CABINET

DEEP BRIDGING CABINET FITTING GUIDE

Step 4.

Ensuring the front edge of the cabinet is correctly aligned screw into any adjacent cabinets using 8 x 1 1/4" screws provided to secure the cabinet. Screw just to the rear of the hinge plate and to the rear of the cabinet at the top and bottom on both sides.

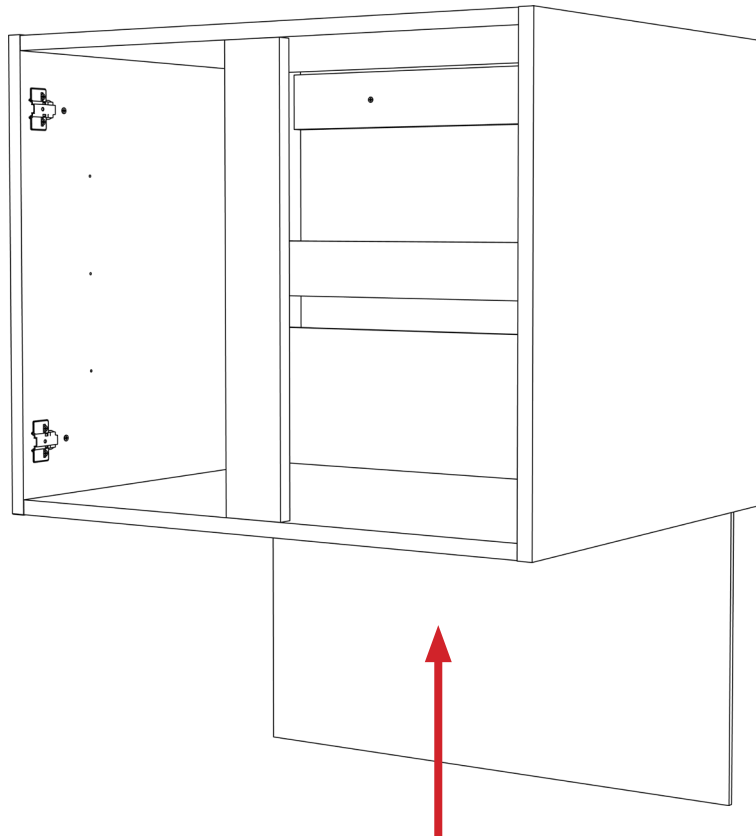


WALL CABINET

DEEP BRIDGING CABINET FITTING GUIDE

Step 5.

Slide the back panel back up into the unit.



Step 6.

Screw through back panel into middle fixing rail in two locations.

