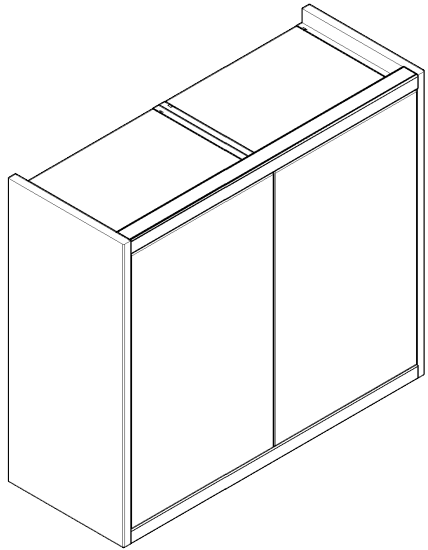


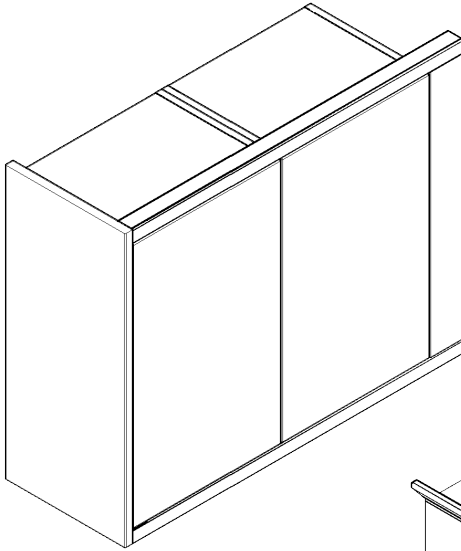
# CROWN - MOLDING

Fitting Guide

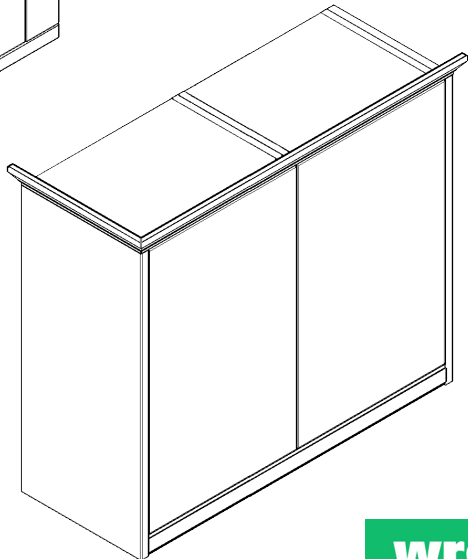
*Modern Crown Molding*



*Modern Crown Molding To Wall*

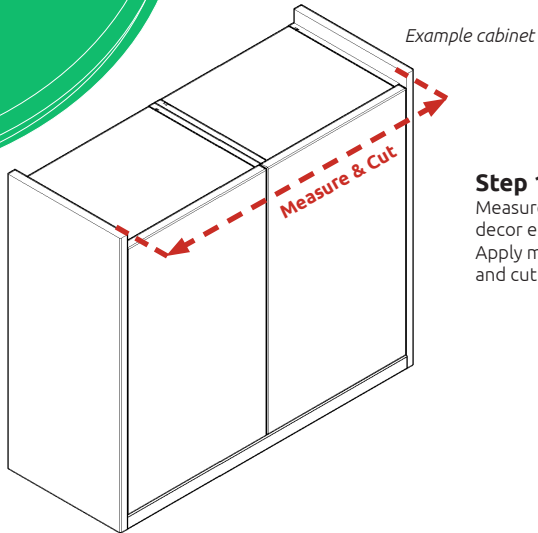


*Traditional Crown Molding*



# CROWN - MOLDING

## Fitting Guide Modern Crown

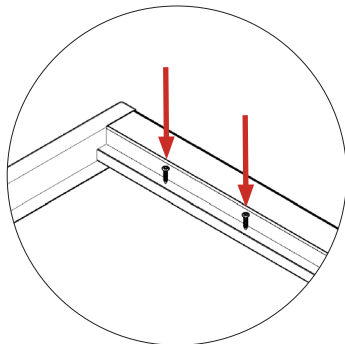
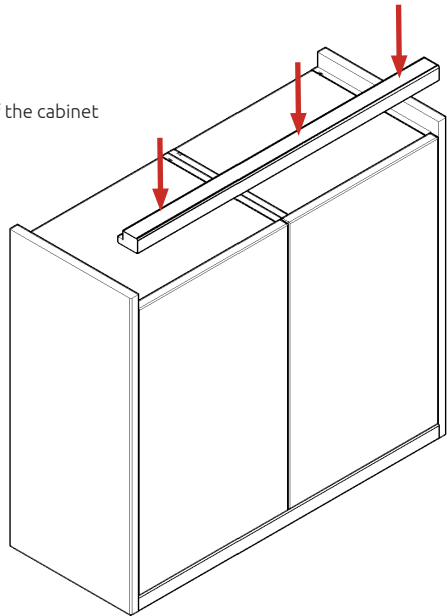
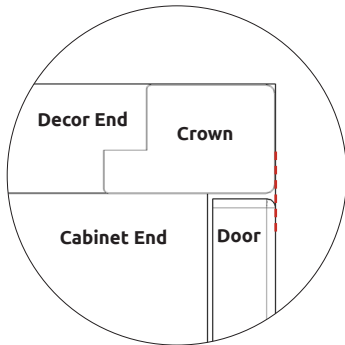


### Step 1.

Measure the distance between the two decor end panels on the inside face. Apply measurement to crown molding and cut to size.

### Step 2.

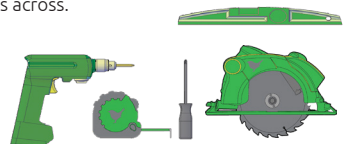
Position the crown molding in place on top of the cabinet in line with the cabinet door.



### Step 3.

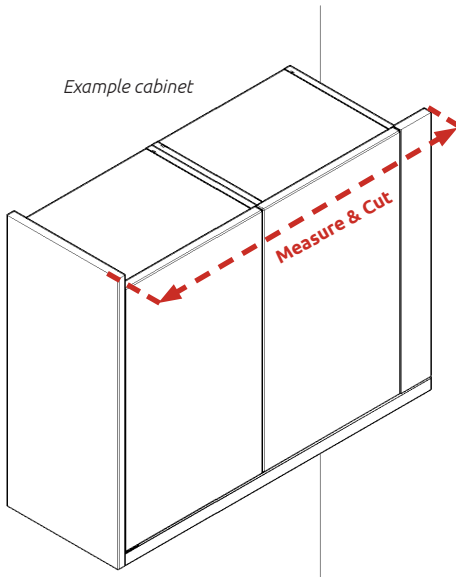
Secure in to position with  $\frac{3}{4}$ " screws. Number of screws required will vary depending on the number of cabinets the crown molding goes across.

#### REQUIRED TOOLS



# CROWN - MOLDING

Fitting Guide  
Modern Crown  
To Wall

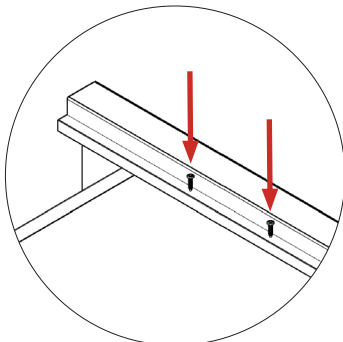
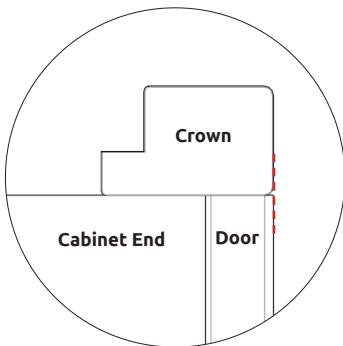
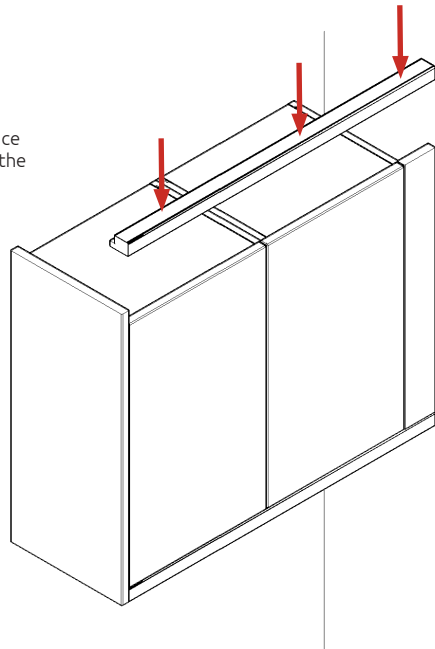


## Step 4.

Measure the distance between the decor end panel on the inside face and the wall.  
Scribe/cut the wall end of the crown molding.  
Apply measurement to crown molding and cut to size. (opposite end to the scribe)

## Step 5.

Position the crown molding in place on top of the cabinet in line with the cabinet door.



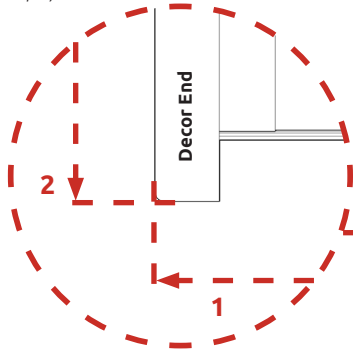
## Step 6.

Secure in to position with  $\frac{3}{4}$ " screws.  
Number of screws required will vary depending on the number of cabinets the crown molding goes across.

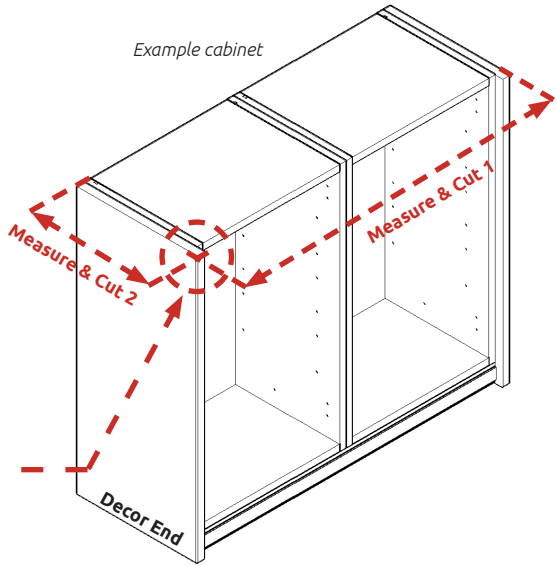
# CROWN - MOLDING

## Fitting Guide Traditional Crown

Close up of measurement



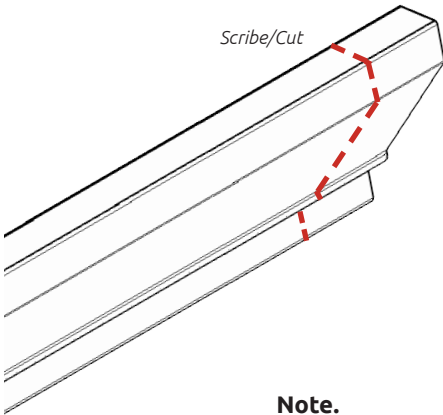
Example cabinet



### Step 7.

1. Measure the distance from the end of the decor end panel to the wall.
2. Measure the distance from the front face of the decor end panel to the wall.

Scribe/Cut



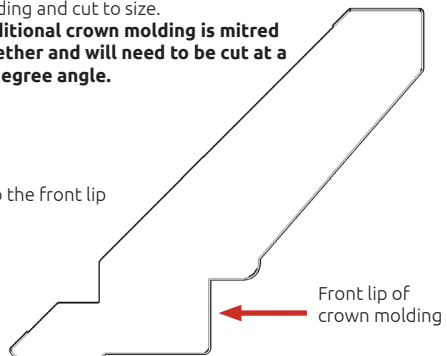
### Step 8.

Scribe/cut the wall end of the crown molding before measuring. Apply measurement to the crown molding and cut to size.

**Traditional crown molding is mitred together and will need to be cut at a 45 degree angle.**

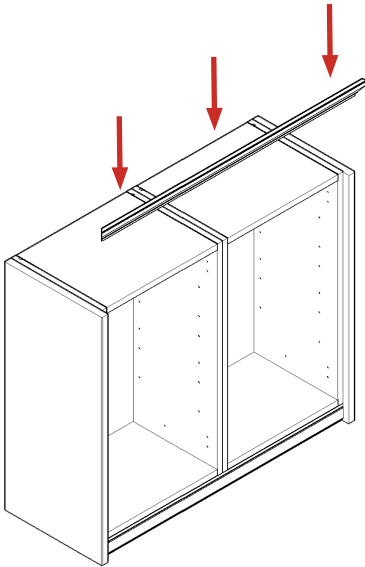
### Note.

Apply the measurement to the front lip of the crown molding



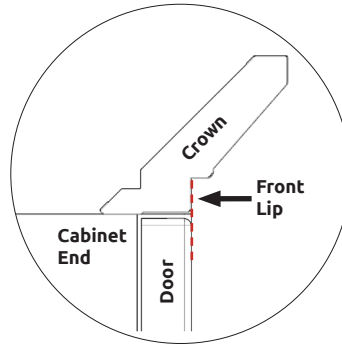
# CROWN - MOLDING

## Fitting Guide Traditional Crown



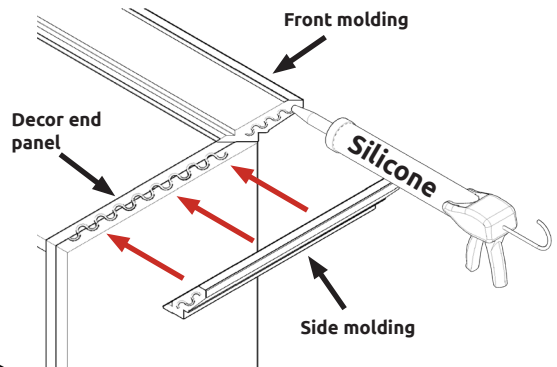
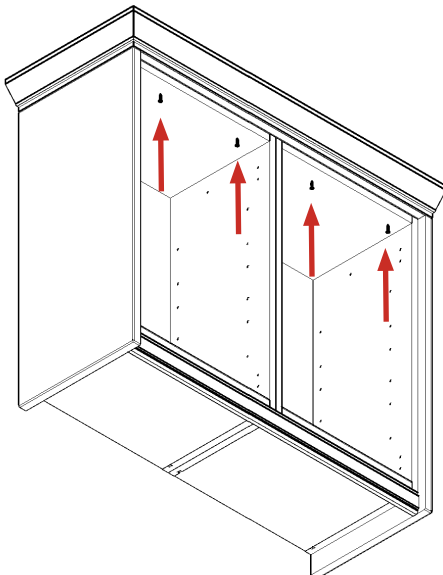
### Step 9.

Position the front crown molding in place flush to the wall. Align the front lip of the crown molding with the front of the cabinet door.



### Step 10.

Apply Silicone adhesive to the mitred cut of the front molding, the top of the decor end panel and the back of the side molding. Position the side molding in place lining it up with the mitred joint and flush with the wall.



### Step 11.

Secure in to position with  $\frac{3}{4}$ " screws. Screw up through the cabinet top and in to the crown molding, cover screw heads with cover caps. The number of screws required will vary depending on the number of cabinets the crown molding goes across.



CROWN -  
MOLDING  
Fitting Guide

**CROWN -  
MOLDING**  
Fitting Guide

**wren**  
KITCHENS