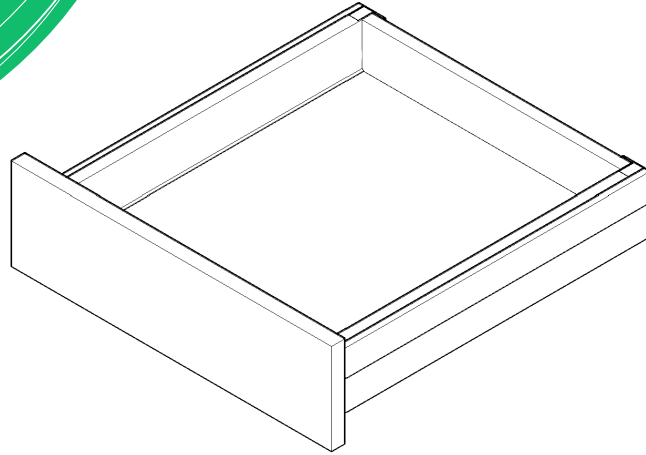


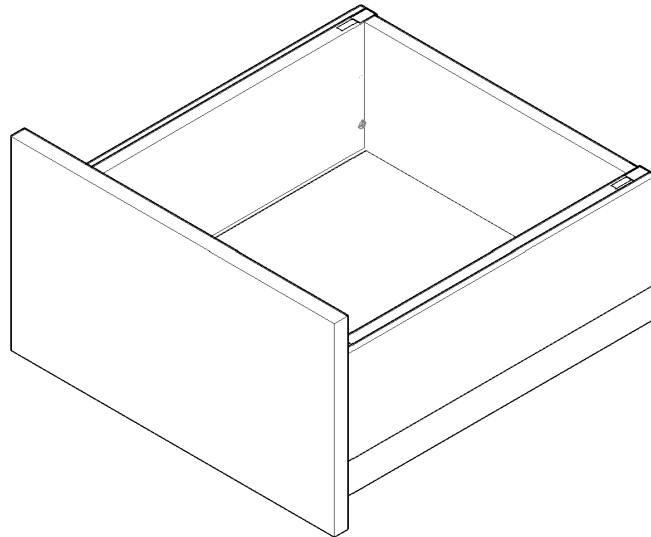
FRONTÄLS

INFINITY PLUS Attachment Guide

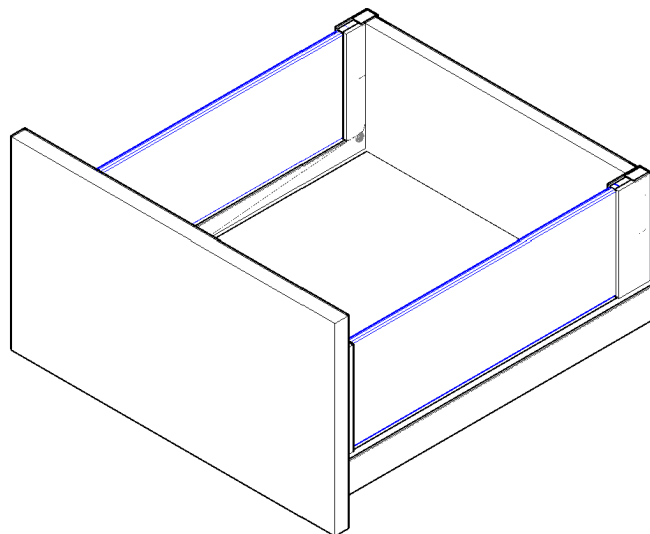
INFINITY PLUS



Standard Drawer



Deep Drawer



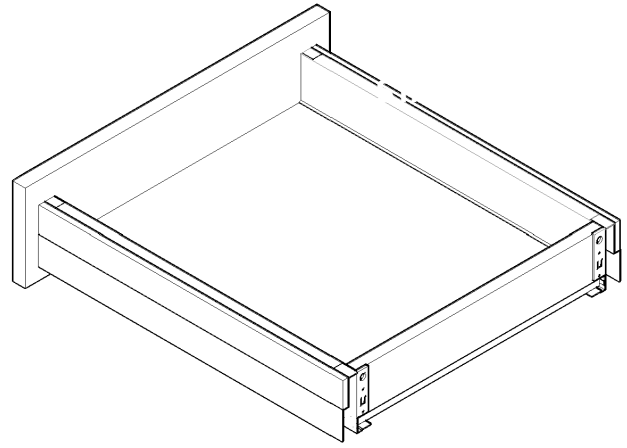
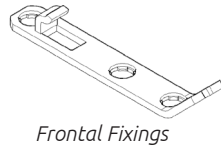
Glass Side

wren
KITCHENS

FRONTALS

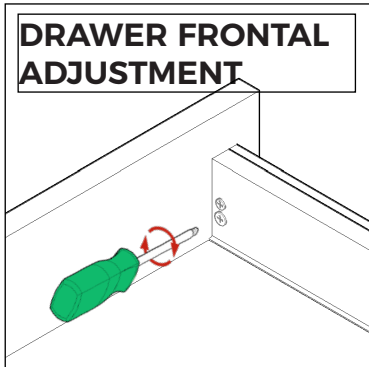
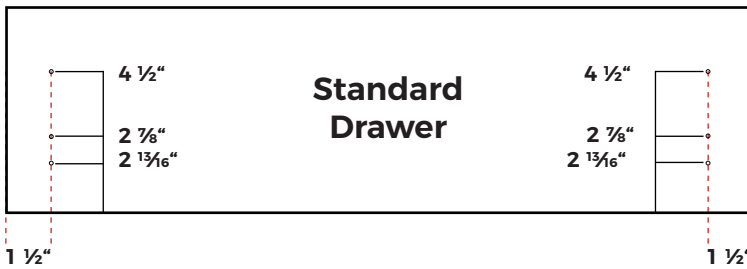
INFINITY PLUS Attachment Guide

STANDARD DRAWER



Step 1.

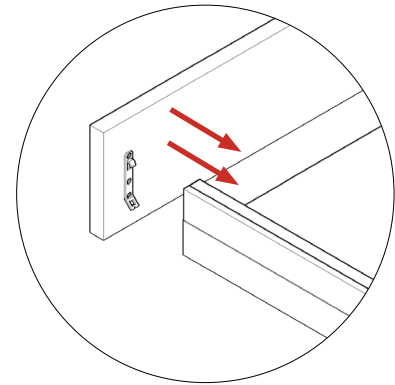
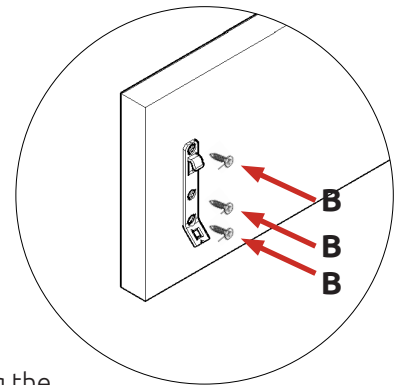
Attach the frontal fixings to the draw front using 3 x 5/8" screws (B) per bracket using the spiked positions.



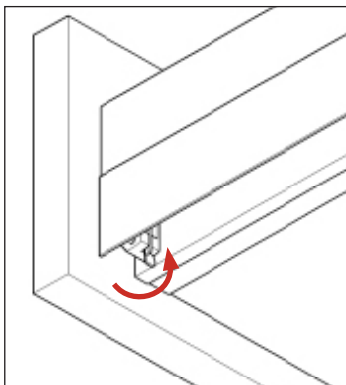
Loosen top screw. Turn bottom screw to adjust drawer frontal height, once in desired position re-tighten the top screw.

Step 2.

Attach the draw front by pushing the frontal onto the sides, aligning the mechanism with the fixings.

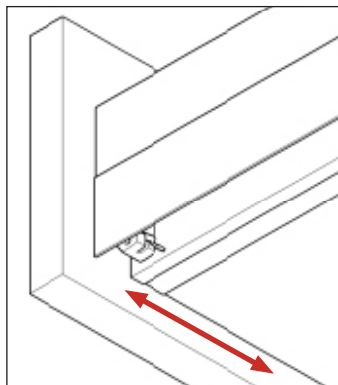


To Adjust the frontal horizontally



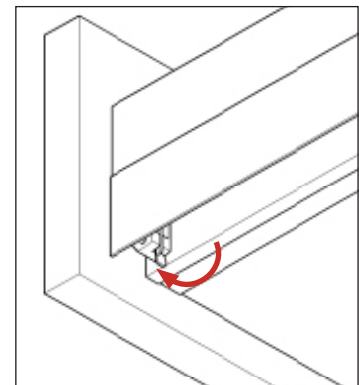
Step 1.

Press in the fixing clips half way, at the bottom of the frontal where they meet the runners on both sides of the drawer.



Step 2.

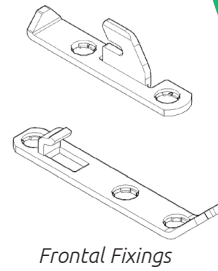
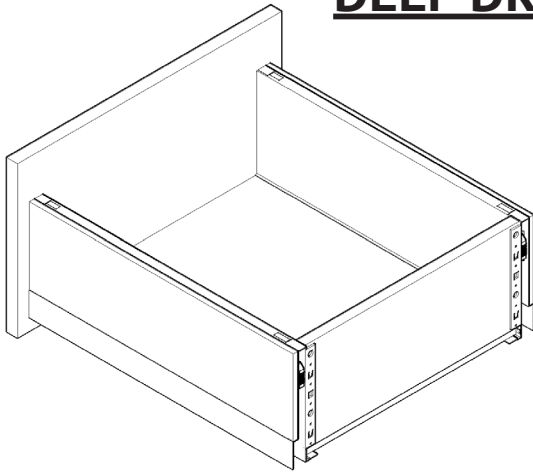
Adjust the position of the drawer frontal, left or right.



Step 3.

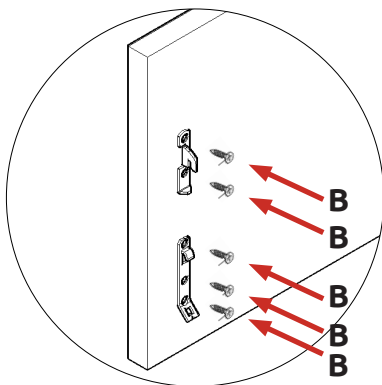
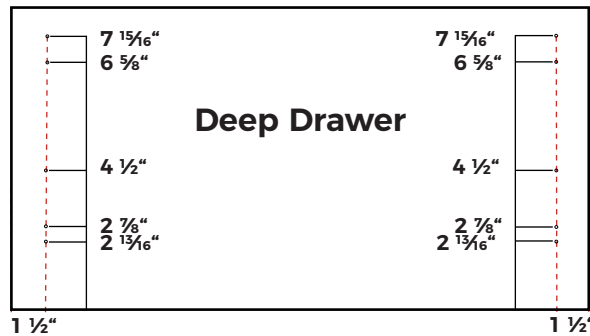
Release the frontal fixing clips on both sides of the drawer to secure the frontal in the new position.

DEEP DRAWER



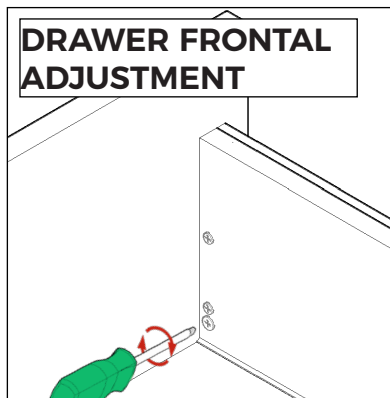
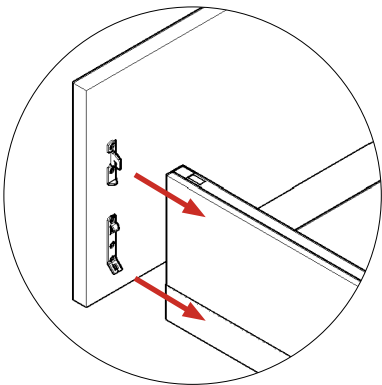
Step 1.

Attach the frontal fixings to the draw front using 3 x $\frac{5}{8}$ " screws (B) per bottom bracket and 2 x $\frac{5}{8}$ " screws (B) per top bracket using the spiked positions.

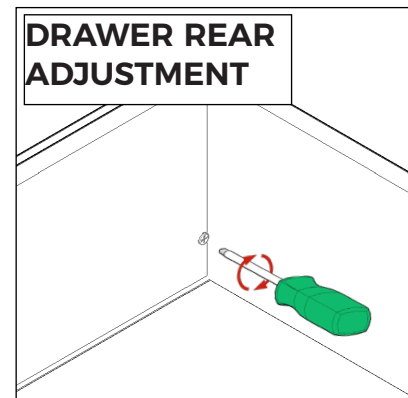


Step 2.

Attach the draw front by pushing the frontal onto the sides, aligning the mechanism with the fixings.

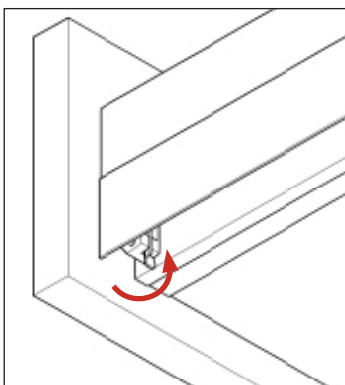


Loosen top 2 screws. Turn bottom screw to adjust drawer frontal height, once in desired position re-tighten the top 2 screws.



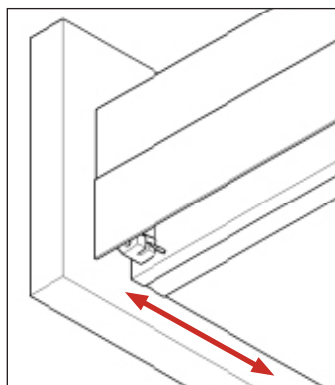
Turn screw to adjust rear elevation of drawer.

To Adjust the frontal horizontally



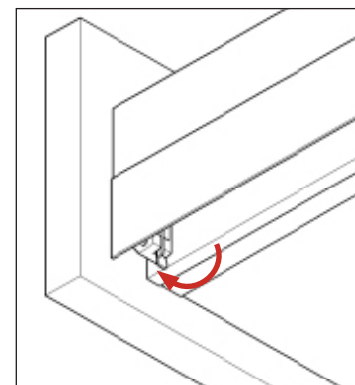
Step 1.

Press in the fixing clips half way, at the bottom of the frontal where they meet the runners on both sides of the drawer.



Step 2.

Adjust the position of the drawer frontal, left or right.



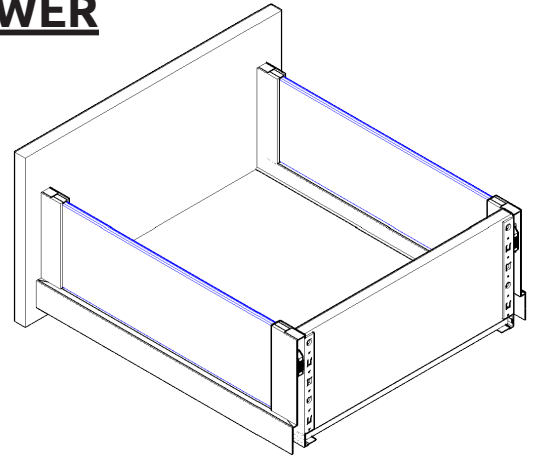
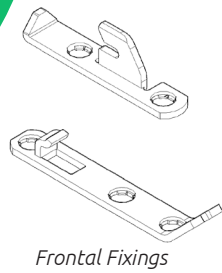
Step 3.

Release the frontal fixing clips on both sides of the drawer to secure the frontal in the new position.

FRONTALS

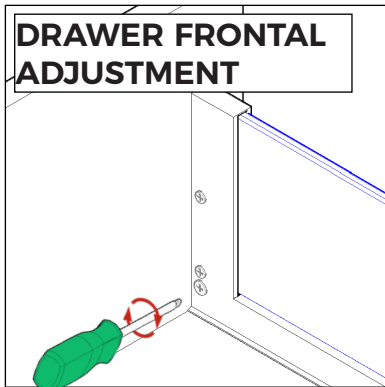
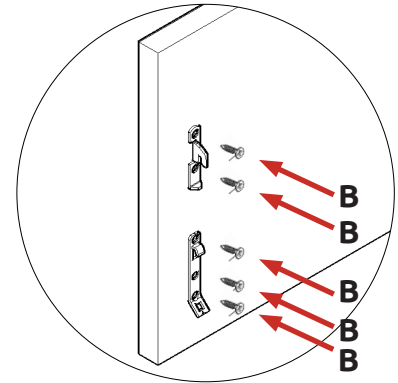
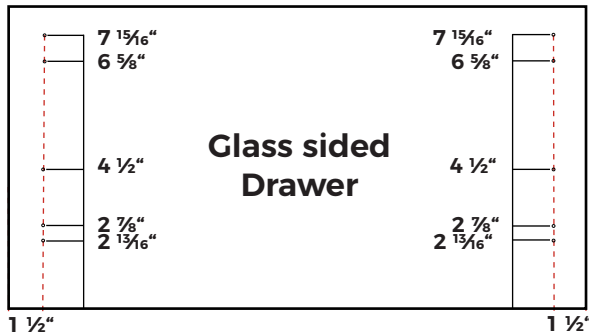
INFINITY PLUS Attachment Guide

DEEP DRAWER

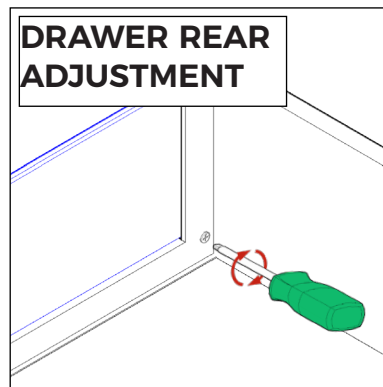


Step 1.

Attach the frontal fixings to the draw front using 3 x 5/8" screws (B) per bottom bracket and 2 x 5/8" screws (B) per top bracket using the spiked positions.



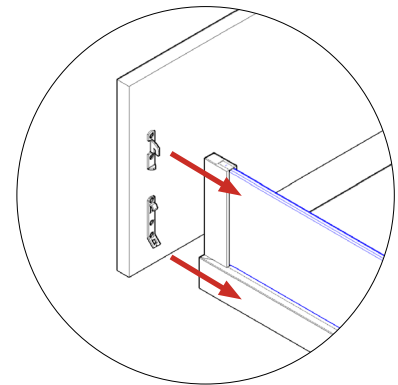
Loosen top 2 screws. Turn bottom screw to adjust drawer frontal height, once in desired position re-tighten the top screws.



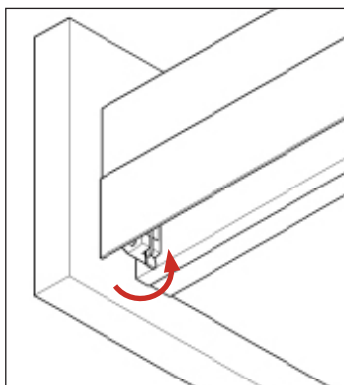
Turn screw to adjust rear elevation of drawer.

Step 2.

Attach the draw front by pushing the frontal onto the sides, aligning the mechanism with the fixings.

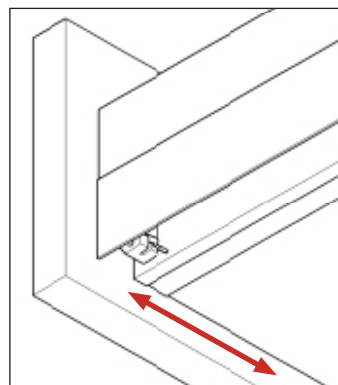


To Adjust the frontal horizontally



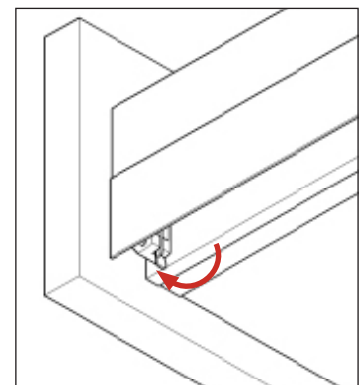
Step 1.

Press in the fixing clips half way, at the bottom of the frontal where they meet the runners on both sides of the drawer.



Step 2.

Adjust the position of the drawer frontal, left or right.



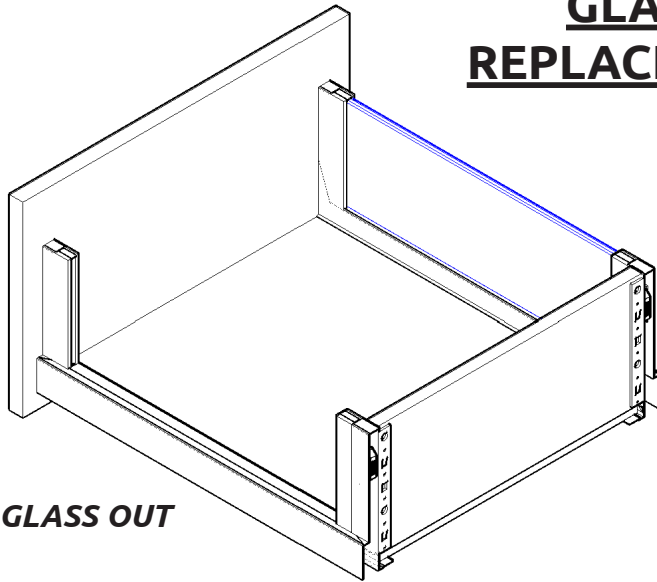
Step 3.

Release the frontal fixing clips on both sides of the drawer to secure the frontal in the new position.

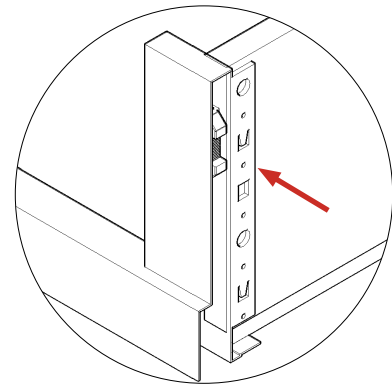
GLASS REPLACEMENT

FRONTALS

INFINITY PLUS Attachment Guide

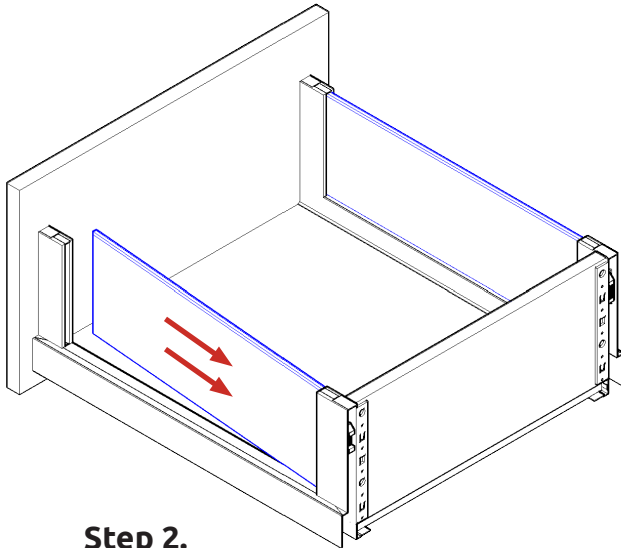


GLASS OUT



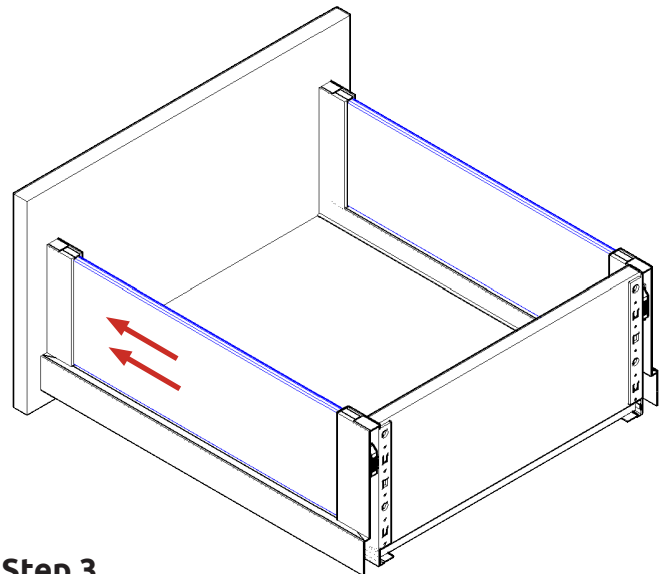
Step 1.

Fully press the rear fixing clip in.



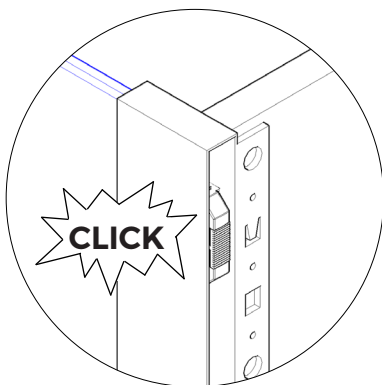
Step 2.

Insert the glass into the rear slot of the side panel and rotate the glass parallel to the side of the drawer.



Step 3.

Slide the glass forward into the front slot of the drawer side, so that both ends of the glass are encapsulated within the side panel.



A CLICK will be heard once the glass is correctly located within the side panel of the drawer.

GLASS REMOVAL:

To remove the glass, reverse the installation process. Press the rear fixing clip in, then slide the glass backwards, towards the rear of the drawer. Once fully back the glass will be free to slide out on an angle from the side panel.

