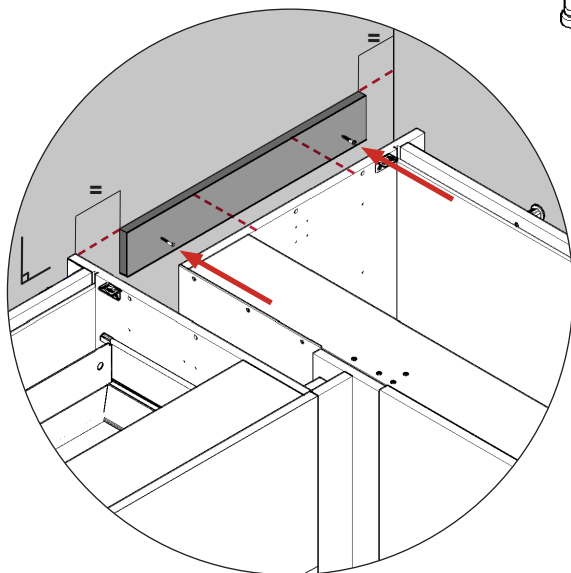
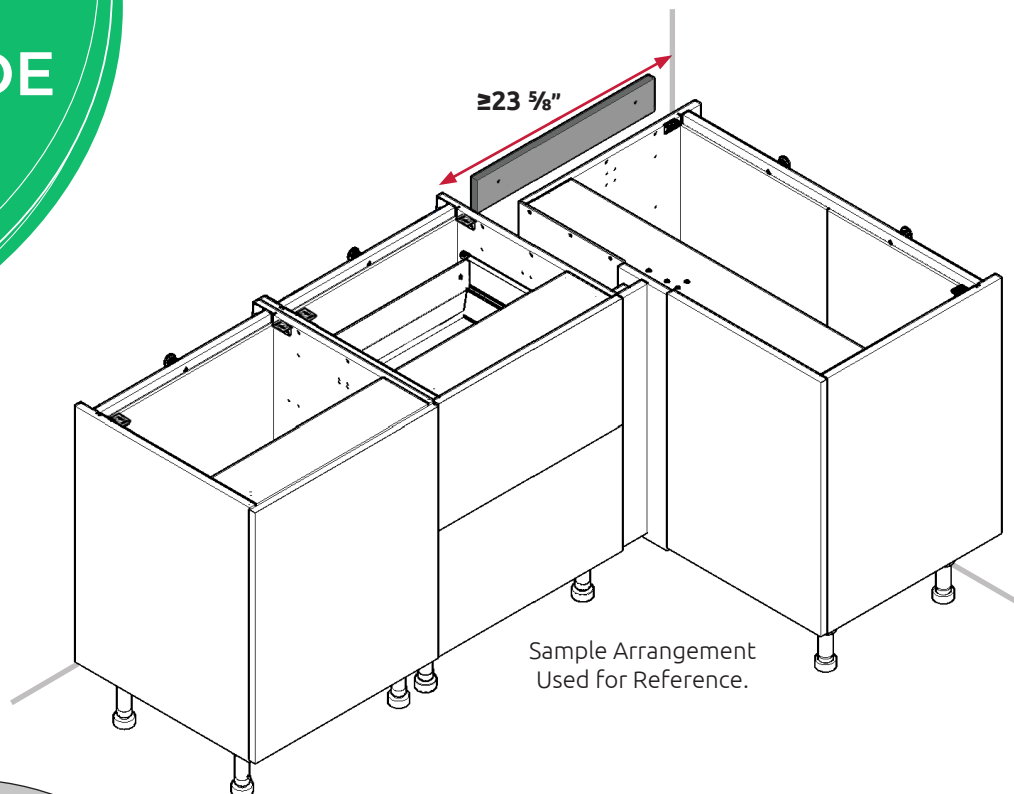


# FITTING GUIDE

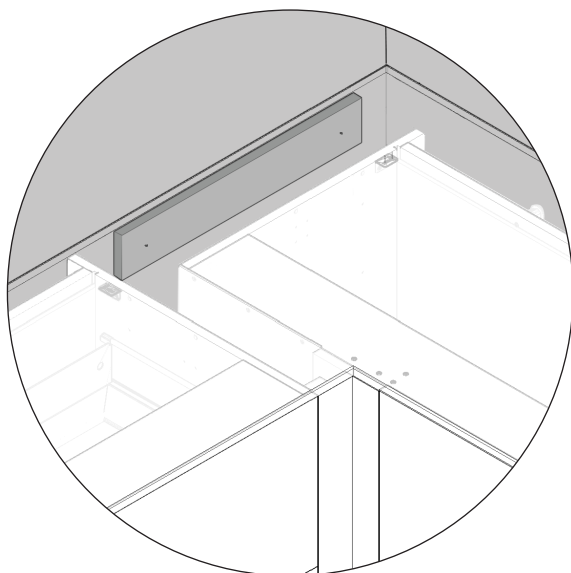
CON.INS.006.001  
COUNTERTOP  
SUPPORT BATTEN  
INSTRUCTION  
GUIDE



## Step 1.

Using 2x screws attach countertop support batten to wall. Ensure batten is aligned with adjacent fixtures and level, as shown.

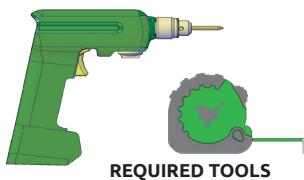
**Screws for fixing to walls are not provided as these vary depending on your wall material and construction. Ensure appropriate fixings for wall construction are used.**



## Step 2.

Position countertop to suit.

**Countertop to be mounted in accordance to customer kitchen plan.**



REQUIRED TOOLS

