

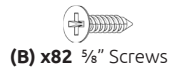
FITTING GUIDE

L CORNER BASE CABINET

FI.PK.FIT.014 - BASE 2 MILANO



(H) x8 1 1/4" Screws



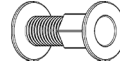
(B) x82 5/8" Screws



(FF) x10 Fixing Plate



(K) x3 L Bracket - Large



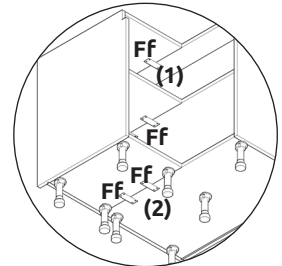
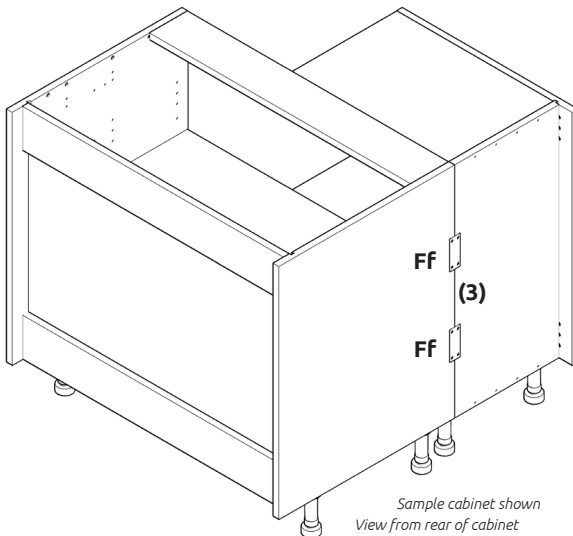
(V) x3 XL Space-Plug



Screws for attaching to walls and countertop are not provided as these vary depending on materials, thickness and construction. Ensure appropriate fixings for wall and countertop construction are used. Please refer to the specialist countertop supplier if these are required for solid surface countertops.

Step 1.

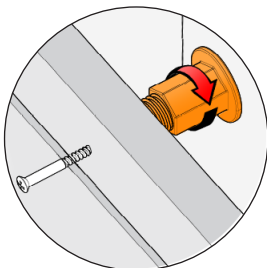
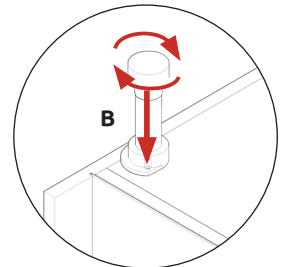
Attach Fixing Plates (FF) onto cabinets in 3 positions (1), (2), (3) as shown using 4 x 5/8" screws (B) per plate. Be careful not to interfere with leg



View from underside

Step 2.

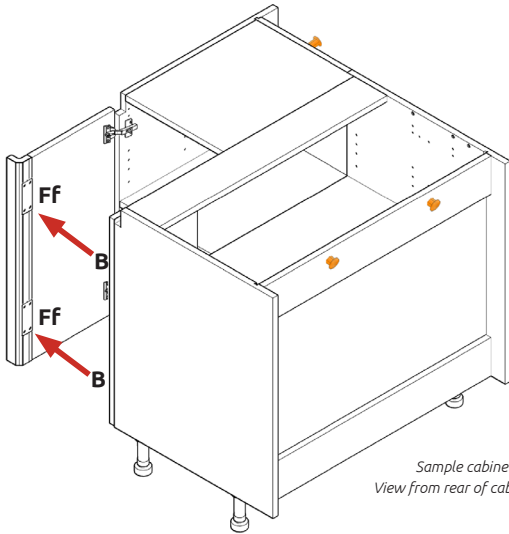
Secure each of the legs into place with 2 x 5/8" screws (B). Ensure legs are rotated as shown so that part of them is supporting the end panel.



Step 3.

Secure cabinet to the wall using XL Space-Plugs (V).

Use a stud finder to locate the studs on the wall, drill pilot holes through the back brace of the cabinet into the wall at the stud locations. Unwind the XL Space-Plugs (V) until they contact both surfaces, insert and tighten an appropriately sized screw through the back of the cabinet and the XL Space-Plug (V) into the wall. (Use appropriate fixing for wall construction where a stud is not available)



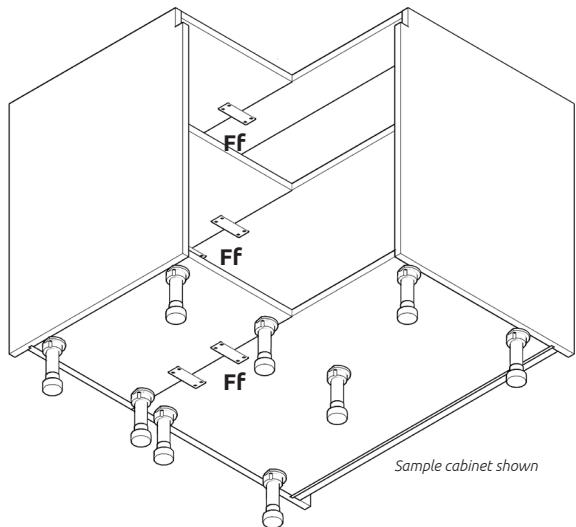
Sample cabinet shown
View from rear of cabinet

Step 4.

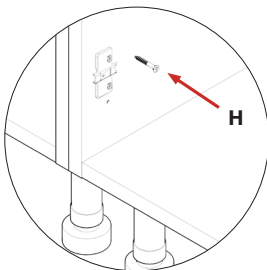
Use 2 x Fixing Plates (**Ff**) with 4 x $\frac{5}{8}$ " screws (**B**) to attach the corner post to the door frontal.

Step 5.

The remaining two fixing plates (**Ff**) are to be used to attach the loose shelf sections together.



Sample cabinet shown



Sample Hinge shown

Step 6.

Screw into any adjacent cabinets using 1 $\frac{1}{4}$ " screws (**H**) provided to secure the cabinet. Screw just to the rear of the hinge plate and to the rear of the cabinet at the top and bottom. Place cover caps on the screw heads to conceal them.