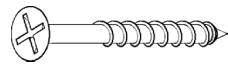


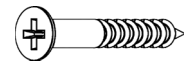
FITTING GUIDE

VOID CORNER POST

FI.PK.FIT.010 - VOID CORNER POST



(I) x8 1 3/4" Screws

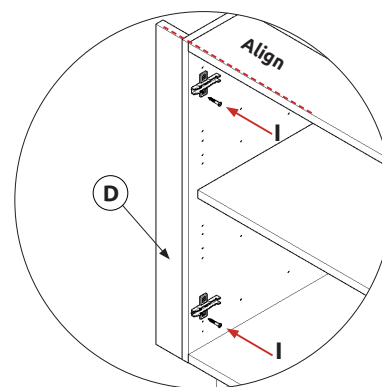
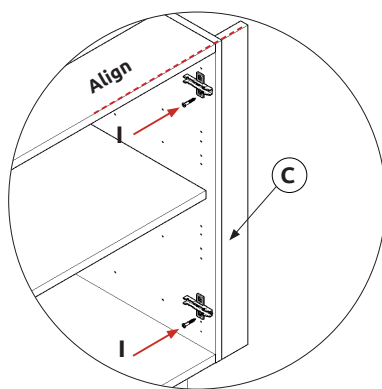
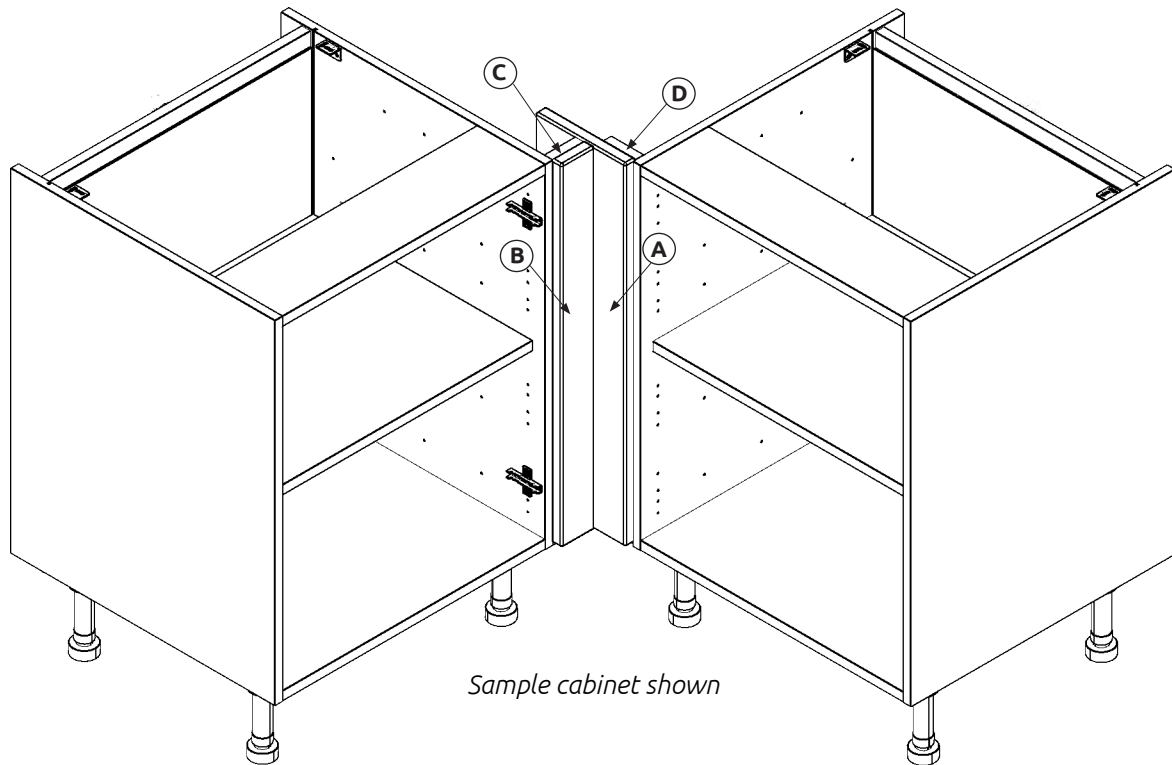


(H) x6 1 1/4" Screws

Panel A

Packer C/D (3 5/8")

Panel B



Step 1.

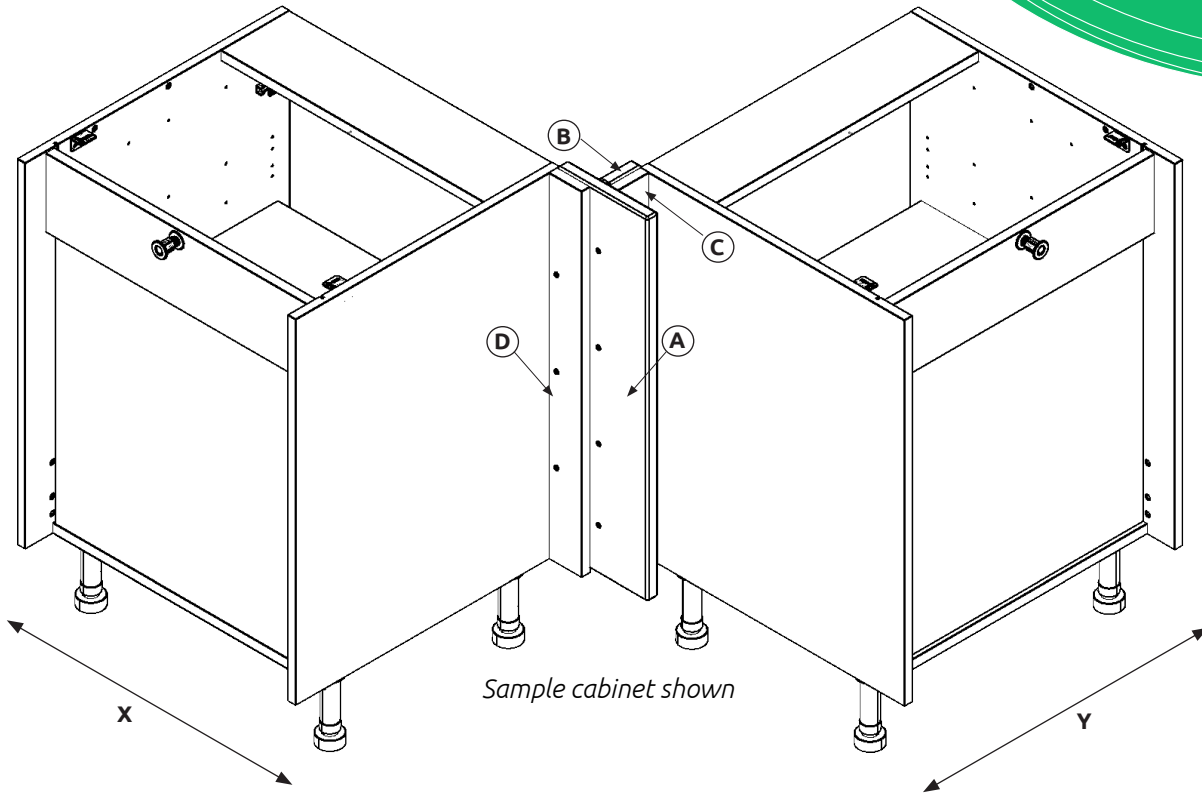
Place the Packer (C) flush with the front edge of the cabinet. Screw into any side cabinets using the 1 3/4" screws (I) provided to secure the cabinet. Screw just to the rear of the hinge mounting plate, at the top and the bottom of both sides of the cabinet. Conceal screw head under hinge bracket where possible.

Repeat this step on the adjoining cabinet with packer (D), making sure to place the panel on the correct side as shown above.

FITTING GUIDE

VOID CORNER POST

Note: To adjust cabinets in (X) plane simply move panel (A) accordingly. To adjust in (Y) plane, you must cut panel (B) and the packer (C) accordingly.



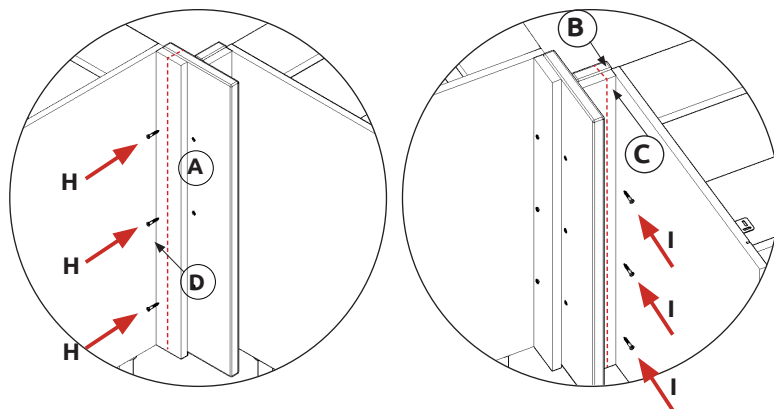
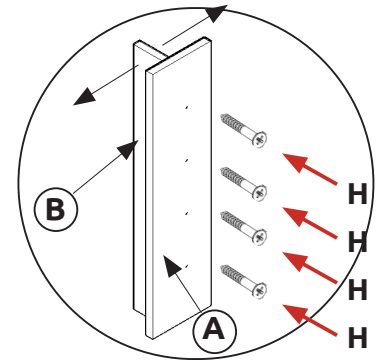
Step 2.

Cut panel (B) to size according to Kitchen Plan.

Step 3.

To create your corner post attach panel (A) and panel (B) as shown. Screw through panel (A) into panel (B) at 4 locations using 4 x 1 3/4" (H) screws.

Corner post size can be adjusted by positioning panel (B) along panel (A).



Step 4.

Place your assembled corner post into position then screw through packers using 3 x 1 1/4" (H) screws into each panel.

REQUIRED TOOLS

