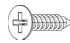


FITTING GUIDE

Appliance Housing

HEIGHT: 34 1/2"
WIDTH: 24" - 30"
DEPTH: 24" - 25"

FI.PK.FIT.004

 (B) x22 5/8" Screws

 (H) x4 1 1/4" Screws

 (R) x2 Dummy Fixing Clip

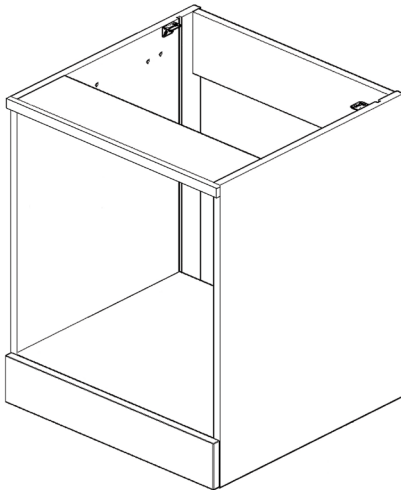
 (G) x2 3/4" Screws

 (K) x2 L Bracket Large

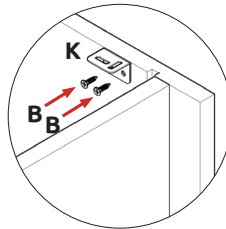
 (J) x2 L Bracket Small



Screws for attaching to walls and countertop are not provided as these vary depending on materials, thickness and construction. Ensure appropriate fixings for wall and countertop construction are used. Please refer to the specialist countertop supplier if these are required for solid surface countertops.

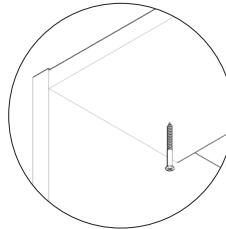


Sample Cabinet Shown



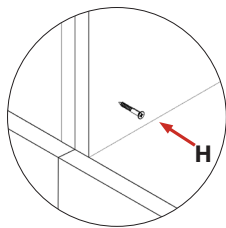
Step 1.

Use 2 x 5/8" screws (B) to secure each of the L brackets LGE (K) to the cabinets at either side. Then screw up through into the countertop as shown.



Step 2.

Screw up through the front rail into your countertop to secure it in place, then also through the back rail into your wall. **Screws for attaching to the wall are not supplied as these vary depending on your wall material and construction. Ensure appropriate fixings for wall construction are used.**



Step 3.

Screw into any adjacent cabinets using 1 1/4" screws (H) provided to secure the cabinet. Screw at the top and bottom of the left and right sides of the cabinet. Place a cover cap on the head to conceal it.

 **Top Filler**

 **Bottom Filler**

FITTING GUIDE

Appliance Housing

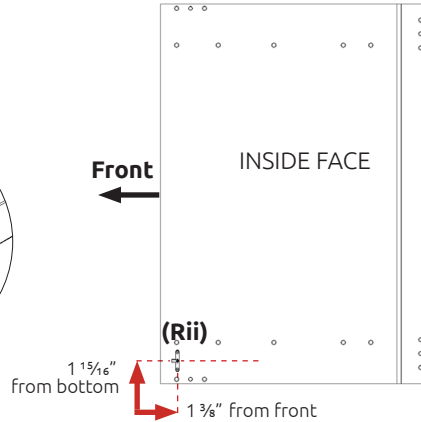
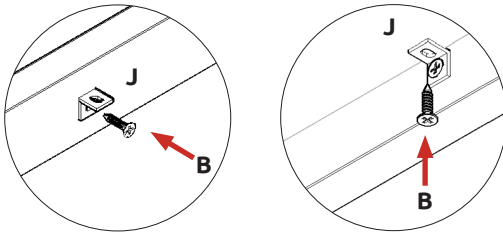
Step 4.

Secure L bracket SML (**J**) onto the inside face of the Top Filler, $1\frac{1}{16}$ " from the side edges and $1\frac{5}{16}$ " from the top edge of the filler (as shown below) using 2 x $\frac{5}{8}$ " screws (**B**). Align so filler is in line with adjacent frontals.



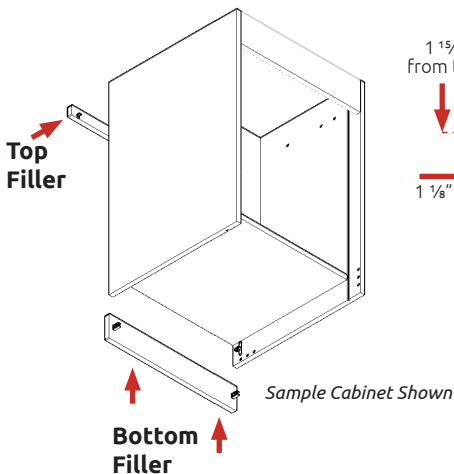
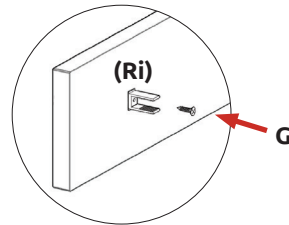
Step 5.

Secure the top filler with L bracket SML (**J**) to top of rail with 2 x $\frac{5}{8}$ " screws (**B**) as shown.



Step 6.

Secure both dummy fixing clip parts (**Rii**) onto both end panels using 2 x $\frac{5}{8}$ " screws (**B**) each, as shown. The centre hole is to be positioned $1\frac{15}{16}$ " from the bottom of the panel and $1\frac{3}{8}$ " from the front of the panel.



Step 7.

Secure dummy fixing clip (**Ri**) onto the inside face of the bottom filler, $1\frac{1}{8}$ " from the side edges and $1\frac{15}{16}$ " from the top edge, using 2 x $\frac{3}{4}$ " screws (**G**).