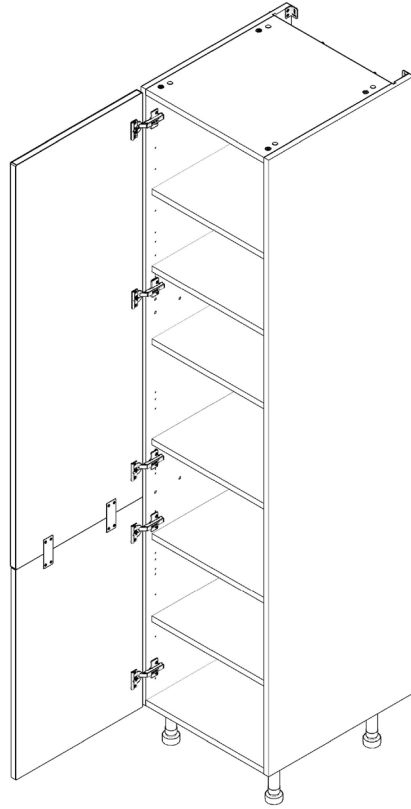


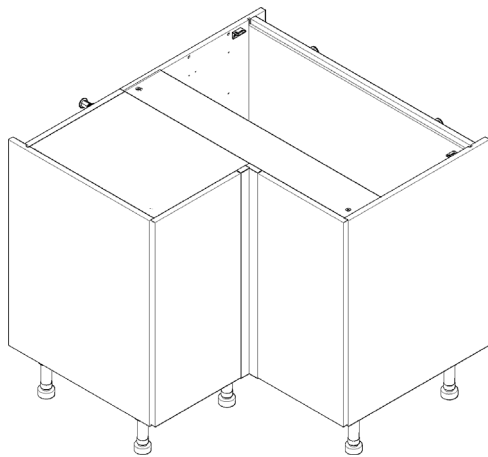
FRONTALS

INFINITY Attachment Guide

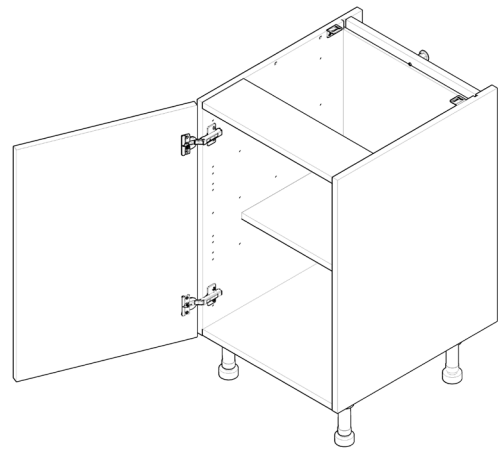
INFINITY



Tower



L Corner



Door

wren
KITCHENS

FRONTALS

INFINITY Attachment Guide

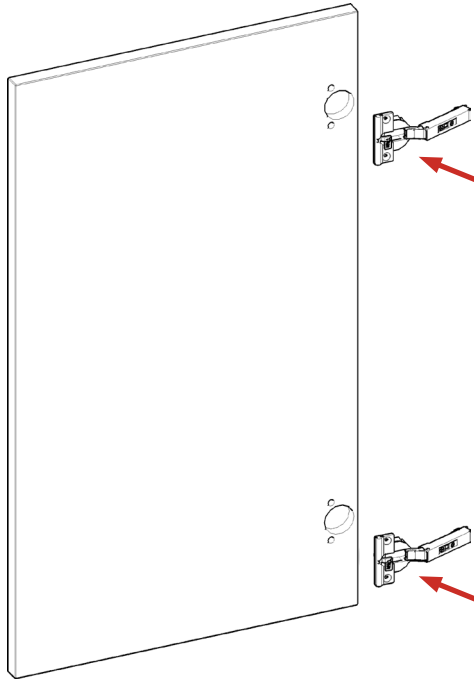
DOOR WITH HINGE

For frontals with cabinet mechanisms, see specific mechanism instructions for frontal attachment guidelines.



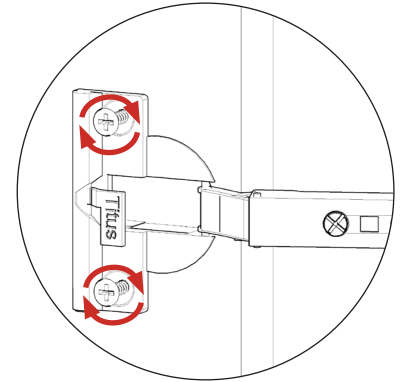
Step 1.

Insert hinge where required in holes as shown.



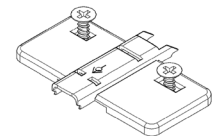
Step 2.

Secure hinges by tightening 2 x screws with hinge dowels attached. These are already positioned within the hinges.



Step 3.

Attach the door to cabinet, clip hinge onto hinge plate and click to secure.



Hinge Plates

Step 4.

Adjust hinge to suit. As shown below.

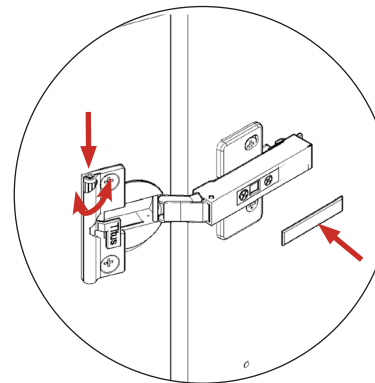
FRONTAL HINGE ADJUSTMENT

To **adjust** hinge using a screw driver, tighten or loosen as required at points **1** & **2**.
Point **1** - In - Out
Point **2** - Left - Right

To **Move** the hinge up/down, loosen screws A + B, manoeuvre the door, then re-tighten the screws

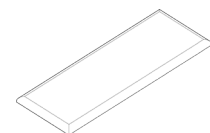
To **Release** door pull catch as shown, doing so will release the hinge from the hinge mounting plate.

View from Inside of Carcase



Step 5.

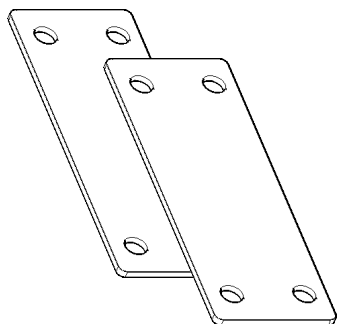
Fit cover caps to hinge. Adjust Softclose to suit.



Hinge Cover Caps

The top and bottom hinges **MUST** be adjusted to the **SAME STRENGTH**

L CORNER DOOR

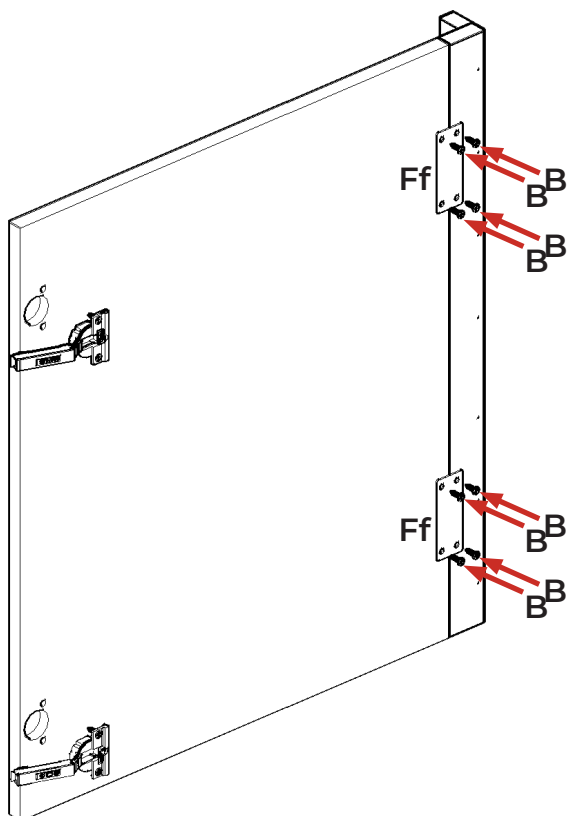


Fixing Plates

Step 1.

Align door & corner post.
Join together using 2 x fixing plates (**Ff**)
(equally spaced) on the back of both frontals.

Ensure a 1/8" gap is maintained between each frontal and that they are flush on the top and bottom once fixed together.
Screw in place using 4 x 5/8" screws (**B**) per fixing plate (**U**).



Step 2.

Insert hinge where required in holes as shown.

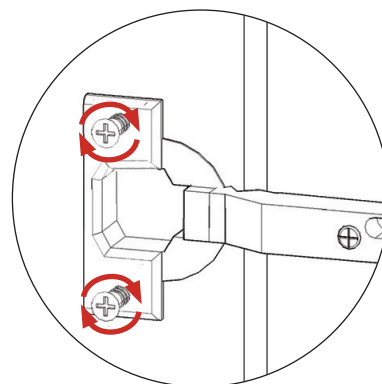
Step 3.

Secure hinges by tightening
2 x screws with hinge dowels attached.
These are already positioned within the hinges.

Step 4.

Adjust hinge to suit.

For hinge adjustability see page 1, step 4.



MULTI-DOOR JOINING

For frontals with cabinet mechanisms, see specific mechanism instructions for frontal attachment guidelines.



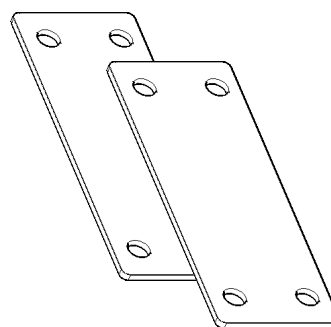
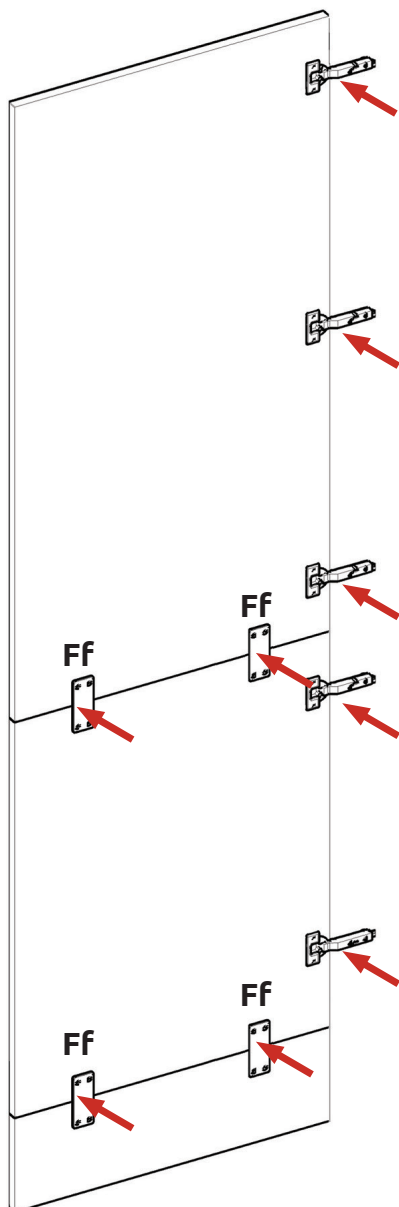
Step 1.

Insert hinge where required in holes as shown.

Step 2.

Align doors & frontal toe kick (if applicable). Join together using 4 x fixing plates (**Ff**) on the back of the frontals.

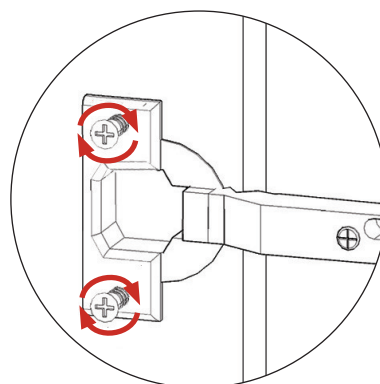
Ensure a 1/8" gap is maintained between each frontal once fixed together. Screw in place using 4 x 5/8" screws (**B**) per fixing plate (**Ff**).



Fixing Plates

Step 3.

Secure hinges by tightening 2 x screws with hinge dowels attached. These are already positioned within the hinges.



Step 4.

Adjust hinge to suit.

For hinge adjustability see page 1, step 4.