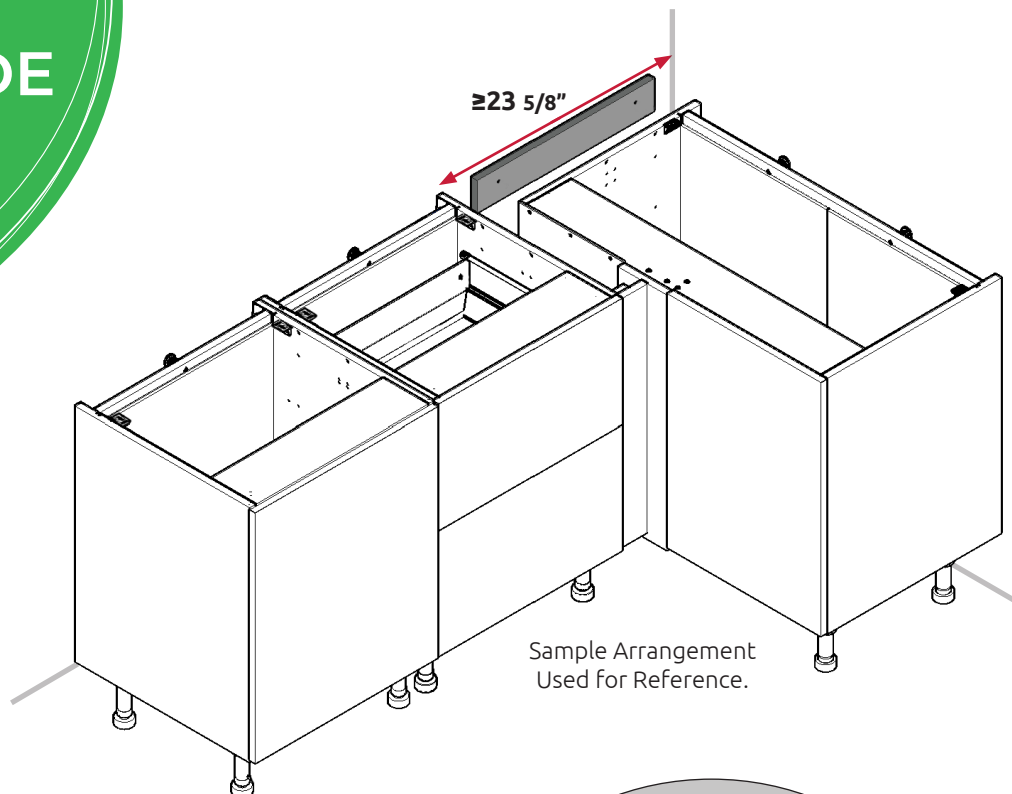


FITTING GUIDE

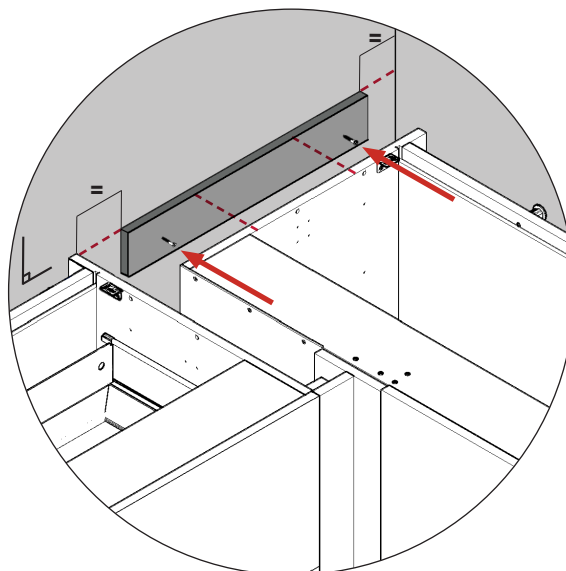
CON.INS.006.001
COUNTERTOP
SUPPORT BATTEN
INSTRUCTION
GUIDE



Step 1.

Using 2x screws attach worktop support batten to wall. Ensure batten is aligned with adjacent fixtures and level, as shown.

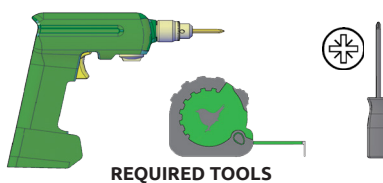
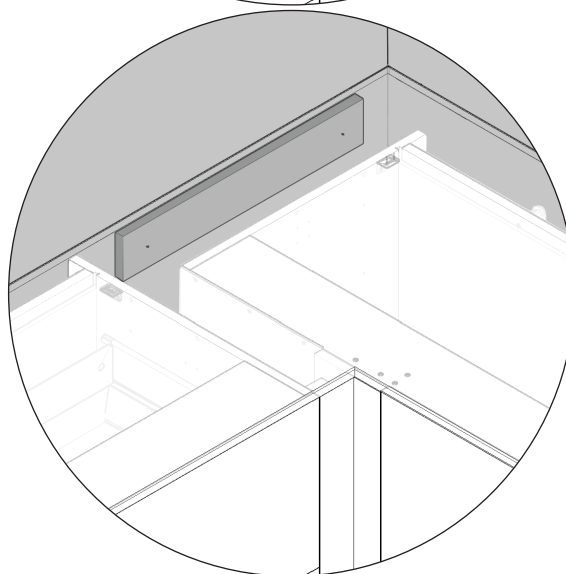
Screws for fixing to walls are not provided as these vary depending on your wall material and construction. Ensure appropriate fixings for wall construction are used.



Step 2.

Position worktop to suit.

Worktop to be mounted in accordance to customer kitchen plan.



wren
KITCHENS