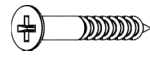


FITTING GUIDE

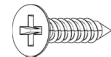
L Corner Base Unit



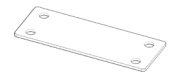
(H) x8 1 1/4" Screws



(K) x5 L Bracket - Large



(B) x82 5/8" Screws



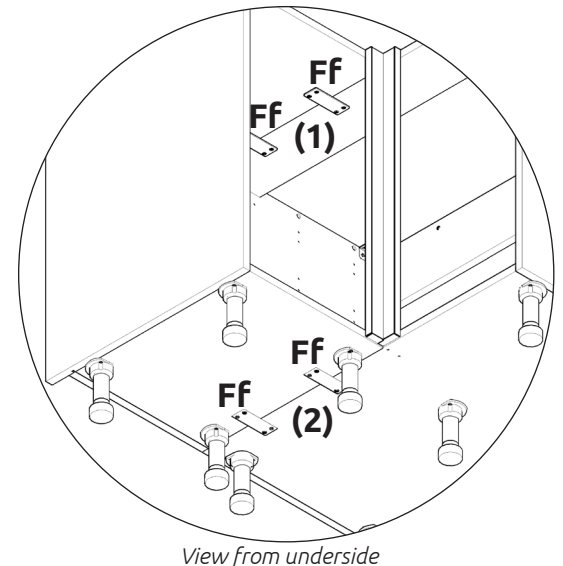
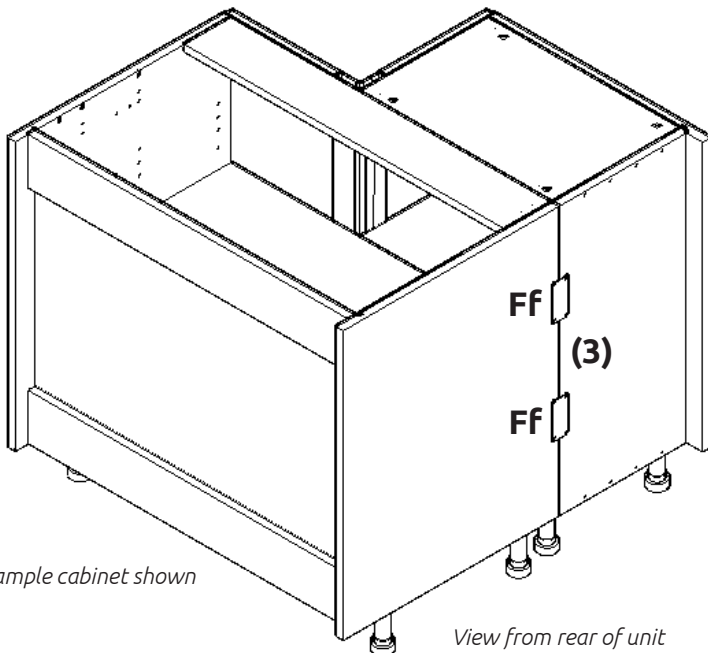
(FF) x10 Fixing Plate



Screws for attaching to walls and worktop are not provided as these vary depending on materials, thickness and construction. Ensure appropriate fixings for wall and worktop construction are used. Please refer to the specialist worktop supplier if these are required for solid surface worktops.

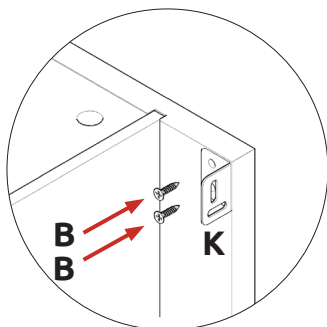
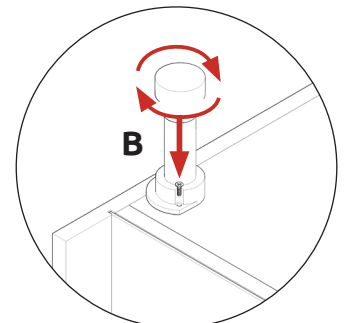
Step 1.

Attach Fixing Plates (FF) onto cabinets in 3 positions (1), (2), (3) as shown using 4 x 5/8" screws (B) per plate. Be careful not to interfere with leg positions.



Step 2.

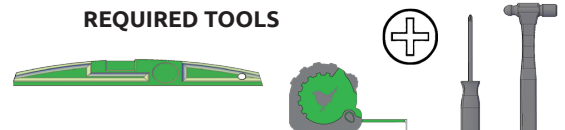
Secure each of the legs into place with 2 x 5/8" screws (B). Ensure legs are rotated as shown so that part of it is supporting the end panel.



Step 3.

Use 2 x 5/8" screws (B) to secure each of the L brackets (K) to the cabinet at either side.

REQUIRED TOOLS

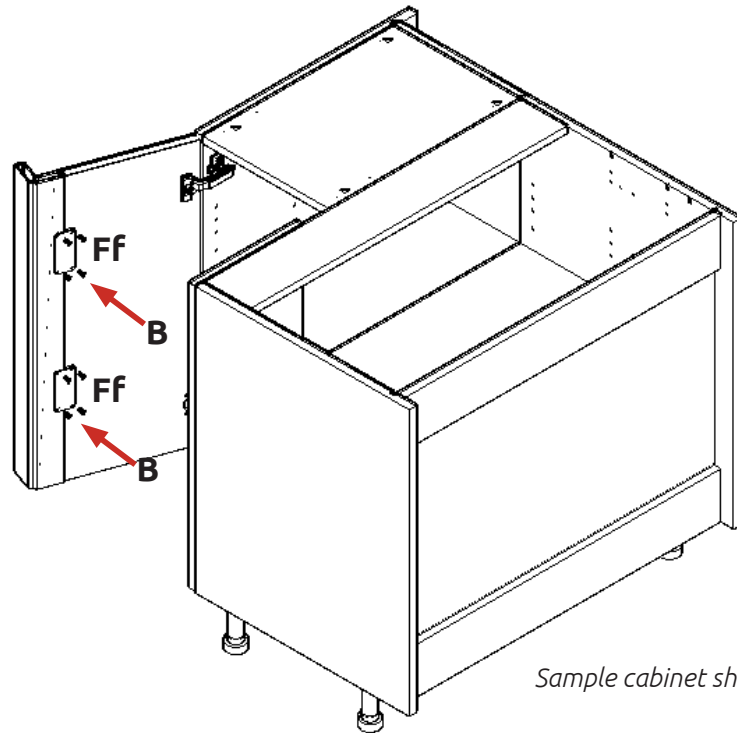


FITTING GUIDE

L Corner Base Unit

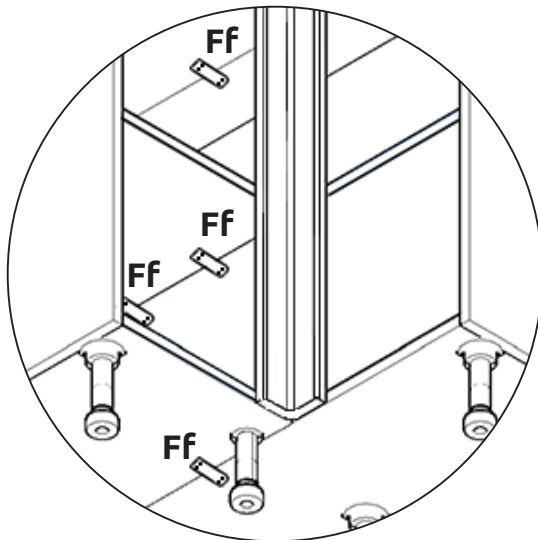
Step 4.

Use 2 x Fixing Plates (**Ff**) with 4 x 5/8" screws (**B**) to attach the corner post to the door frontal.



Sample cabinet shown

View from rear of unit



View from underside

Step 5.

The remaining two fixing plates (**Ff**) are to be used to attach the loose shelf sections together.

Step 6.

Screw into any side units using the 1 1/4" (**H**) provided to secure to unit. Screw just to the rear of the hinge plate at the top and bottom of both sides of the unit.

