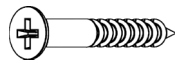


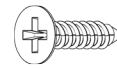
FITTING GUIDE

Adjustable Corner Base Unit

HEIGHT: 34 1/2"
WIDTH: 36"-42"
DEPTH 24"-25"



(H) x16 1 1/4" Screws



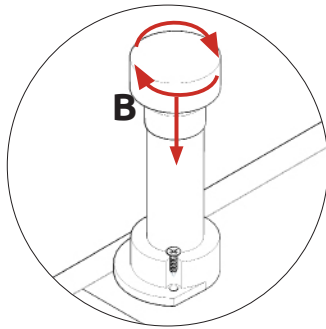
(B) x30 5/8" Screws



(K) x4 L Bracket - Large



Screws for attaching to walls and worktop are not provided as these vary depending on materials, thickness and construction. Ensure appropriate fixings for wall and worktop construction are used. Please refer to the specialist worktop supplier if these are required for solid surface worktops.

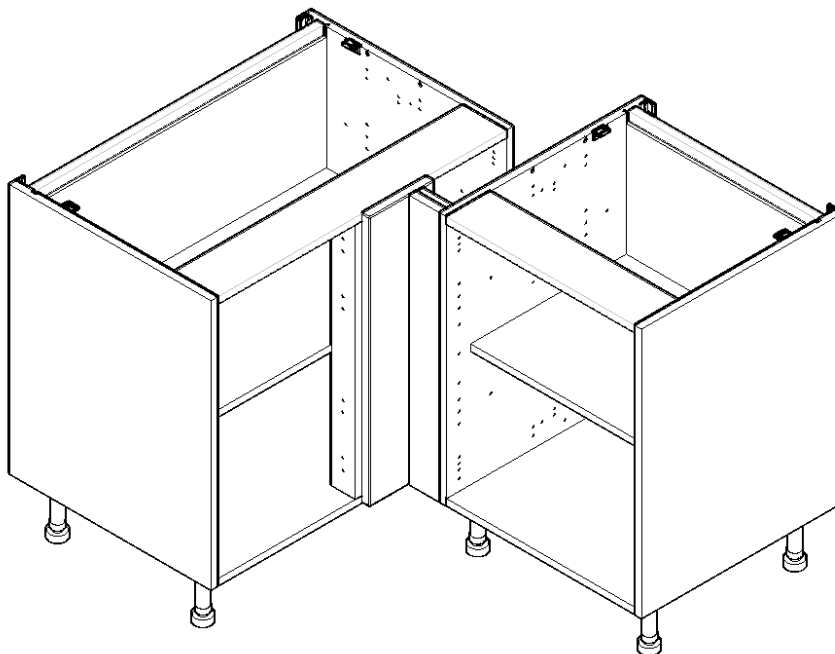
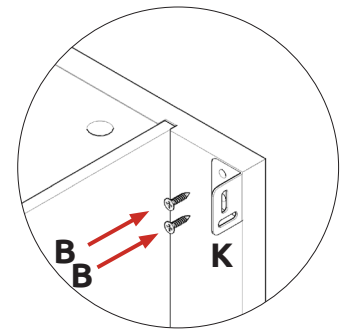


Step 1.

Secure each leg into place with 2 x 5/8" screws (B). Ensure legs are rotated as shown so that part is supporting the end panel.

Step 2.

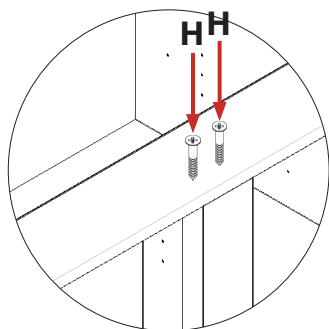
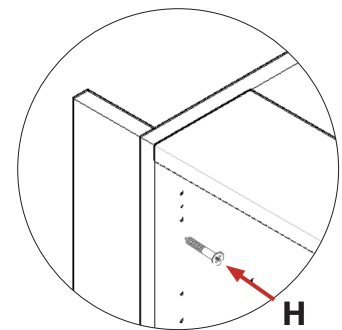
Use 2 x 5/8" screws (B) to secure each of the L brackets (K) to the cabinet at either side.



Sample cabinet shown

Step 3.

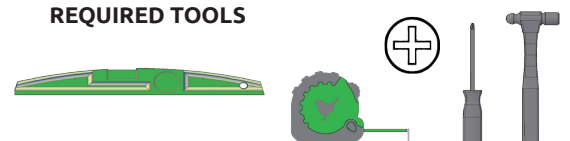
Place the longer packer flush with the front edge of the cabinet and screw through using 2 x 1 1/4" screws (H) to secure it in place.



Step 4.

Place the shorter packer inside the cabinet flush with the front edge and screw through the top and bottom of the cabinet using 2 x 1 1/4" screws (H) at each location.

REQUIRED TOOLS



FITTING GUIDE

Adjustable Corner Base Unit

HEIGHT: 34 1/2"

WIDTH: 36"-42"

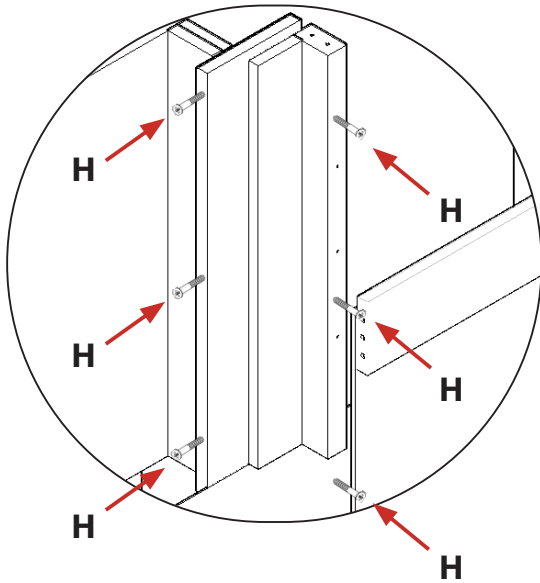
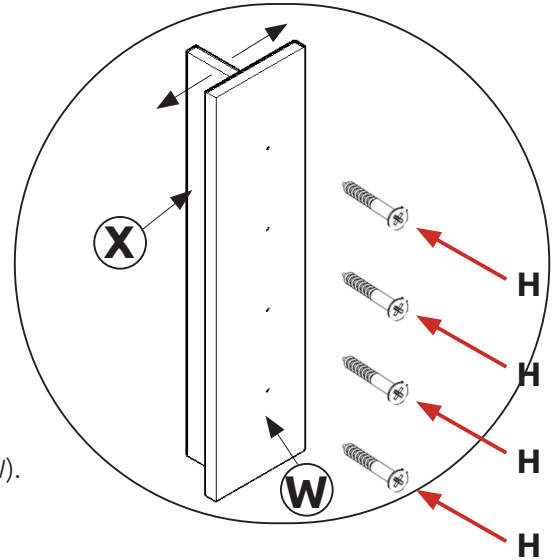
DEPTH 24"-25"

Step 5.

Cut panel (X) to size according to Kitchen Plan.

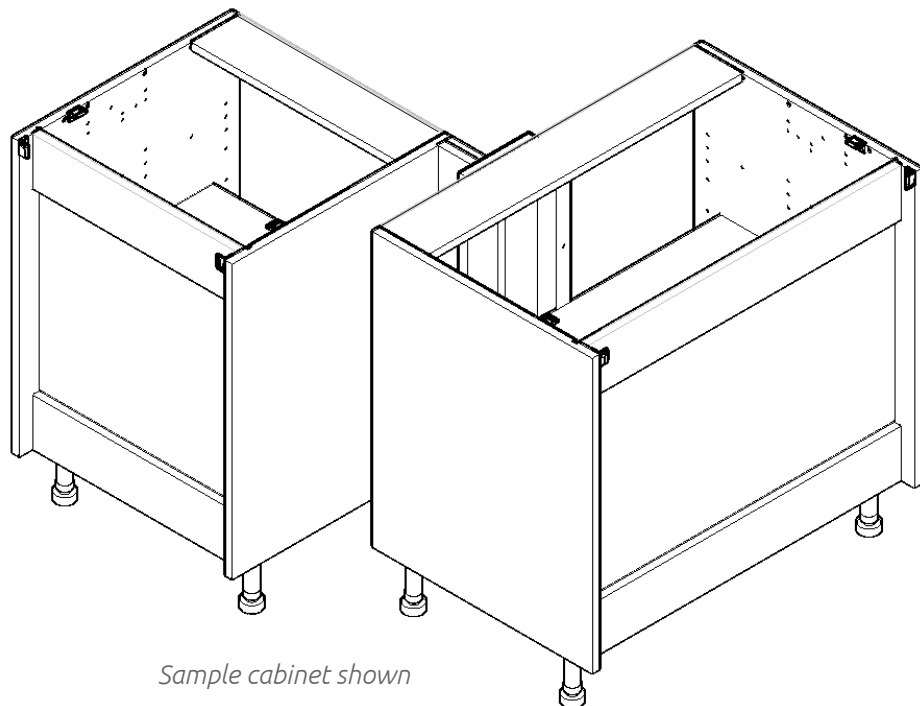
Step 6.

To create your corner post attach panel (W) and panel (X) as shown. screw through panel (W) into panel (X) at 4 locations using 4 x 1 1/4" (H) screws. Corner post size can be adjusted by positioning panel (X) along panel (W).



Step 7.

Place your assembled corner post into position then screw through packers using 3 x 1 1/4" (H) screws into each panel.



Sample cabinet shown