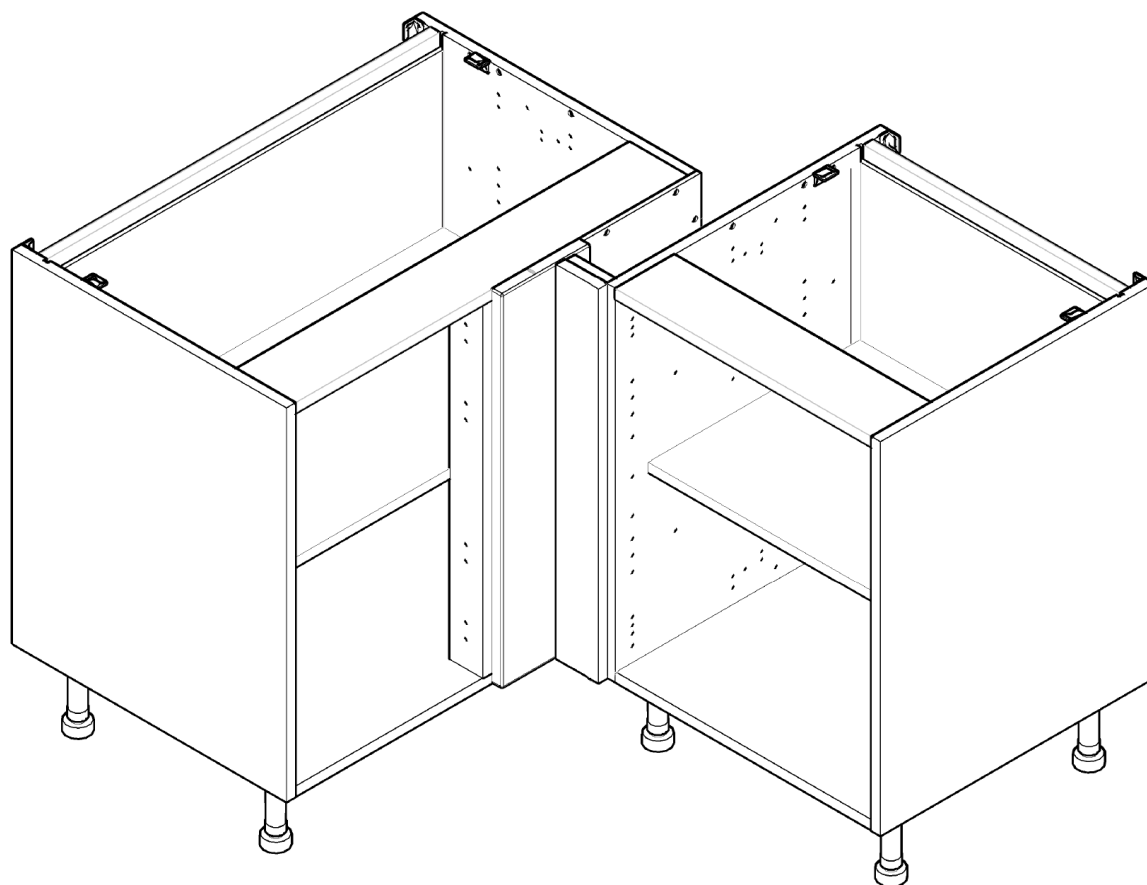


ADJUSTABLE  
CORNER  
BASE CABINET

Fitting  
Guide

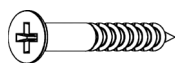


**Base Cabinet Adjustable Corner**

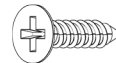
**wren**  
KITCHENS

# ADJUSTABLE CORNER BASE CABINET

## Fitting Guide



**(H)** x16 1 1/4" Screws

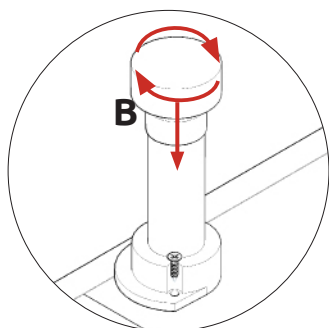
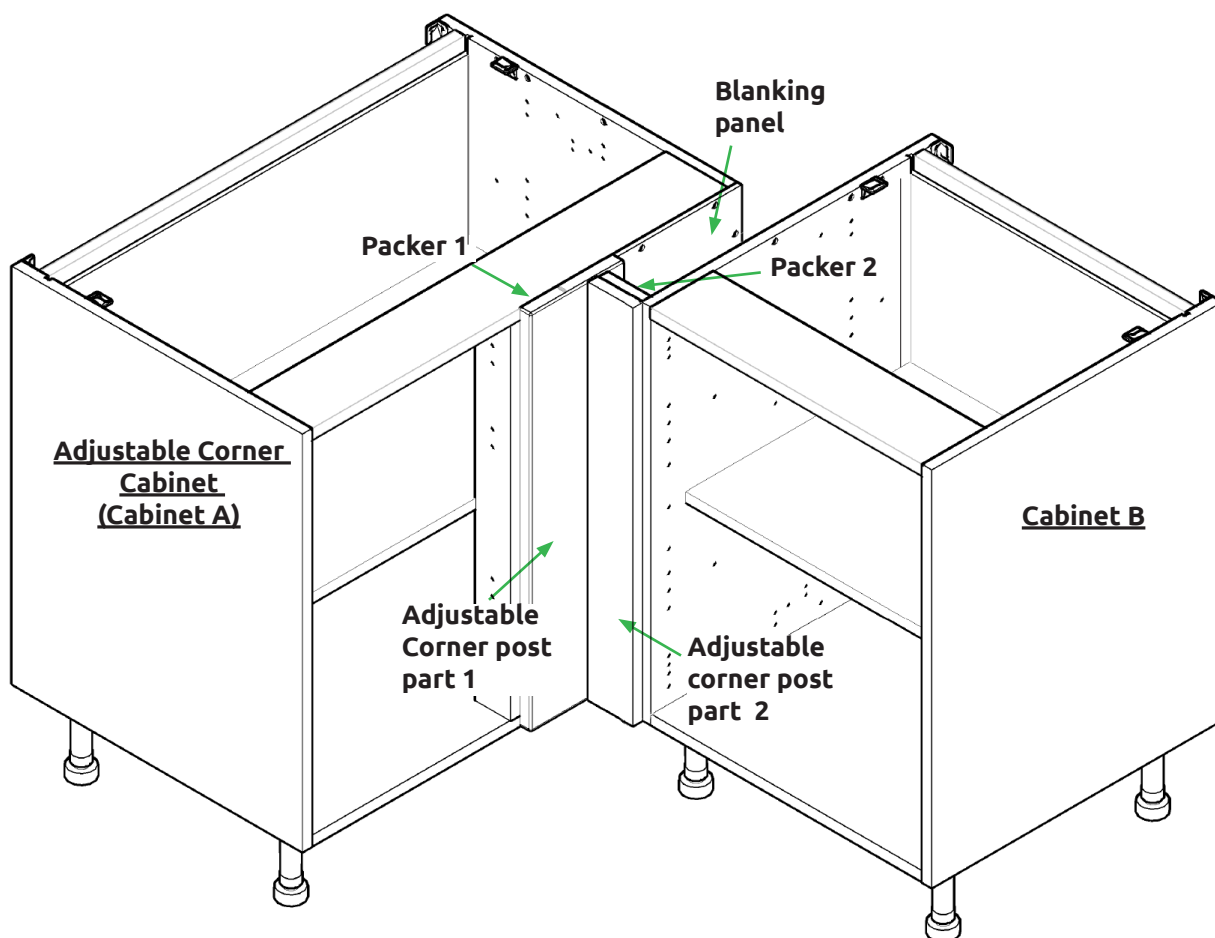


**(B)** x30 5/8" Screws



**(K)** x4 L Bracket - Large

Screws for attaching to walls and countertop are not provided as these vary depending on materials, thickness and construction. Ensure appropriate fixings for wall and worktop construction are used. Please refer to the specialist countertop supplier if these are required for solid surface countertops.

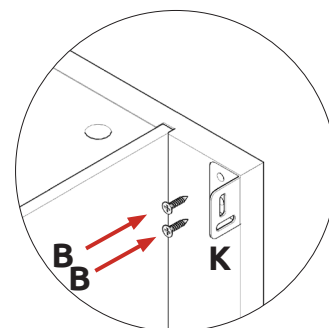


### Step 1.

Secure each leg into place with 2 x 5/8" screws **(B)**. Ensure legs are rotated as shown so that part is supporting the end panel.

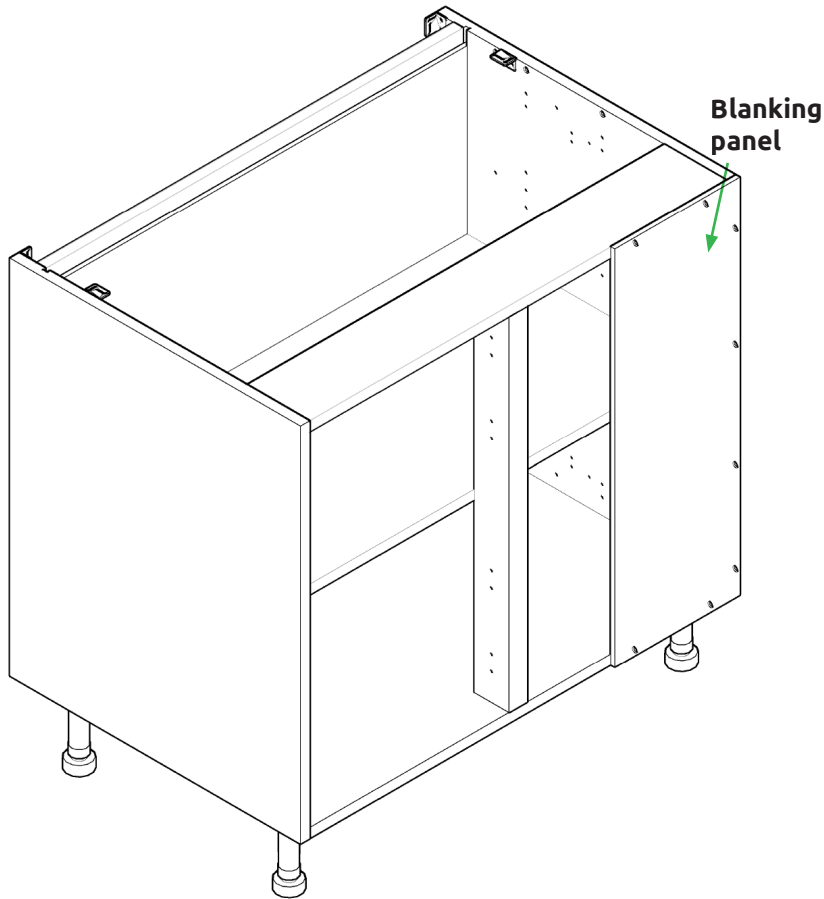
### Step 2.

Use 2 x 5/8" screws **(B)** to secure each of the L brackets **(K)** to the cabinet at either side.



# ADJUSTABLE CORNER BASE CABINET

## Fitting Guide



### Step 3.

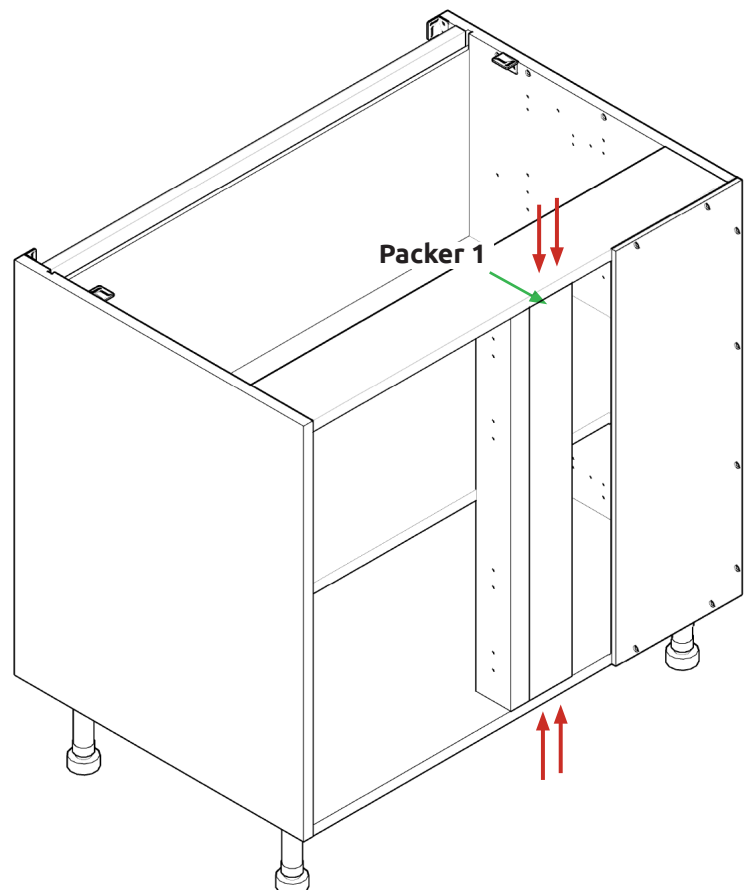
Cut Blanking panel to required width (refer to customer specific plan) and attach to cabinet face as shown.

### Step 4.

Press packer 1 tightly against the muntin post and screw through the top and bottom of the cabinet using 2 x 1 1/4" screws per location to secure in place.

### Step 5.

Attach cabinet A to the wall according to customer specific plan, using standard procedure.



# ADJUSTABLE CORNER BASE CABINET Fitting Guide



## Step 6.

To create your corner post attach part 1 and part 2 as shown. Screw through part 1 into part 2 at 4 locations using 4 x appropriately sized screws.

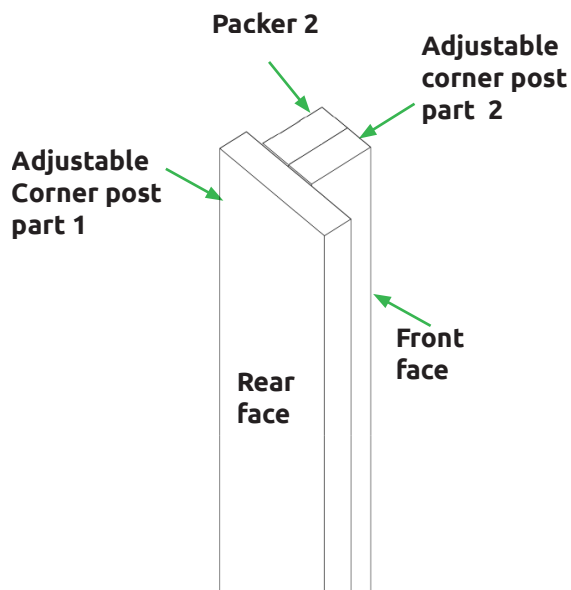
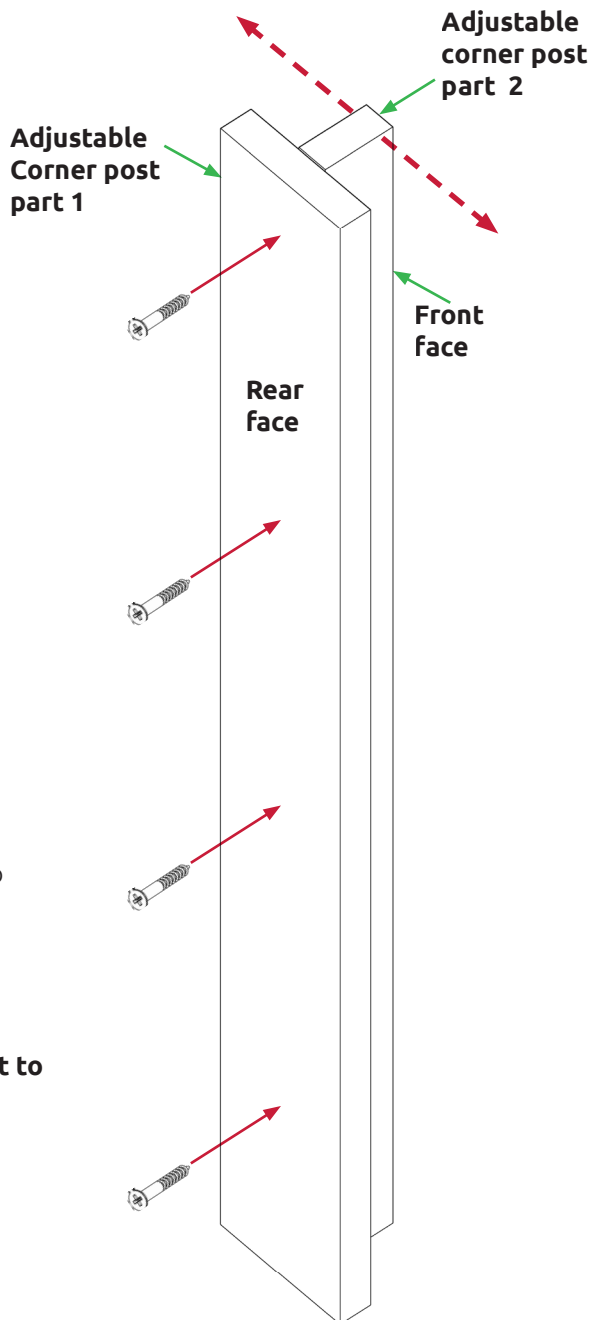
Corner post size can be adjusted by cutting part 2 (see step 8), and also positioning part 2 along part 1 in accordance to customer kitchen plan.

## Step 7.

Refer to the customer kitchen plan to calculate the width required for the adjustable corner post part 2.

Cut adjustable corner post part 2 and packer 2 to the width required.

**Measure from the front face, as not to remove the front profile.**

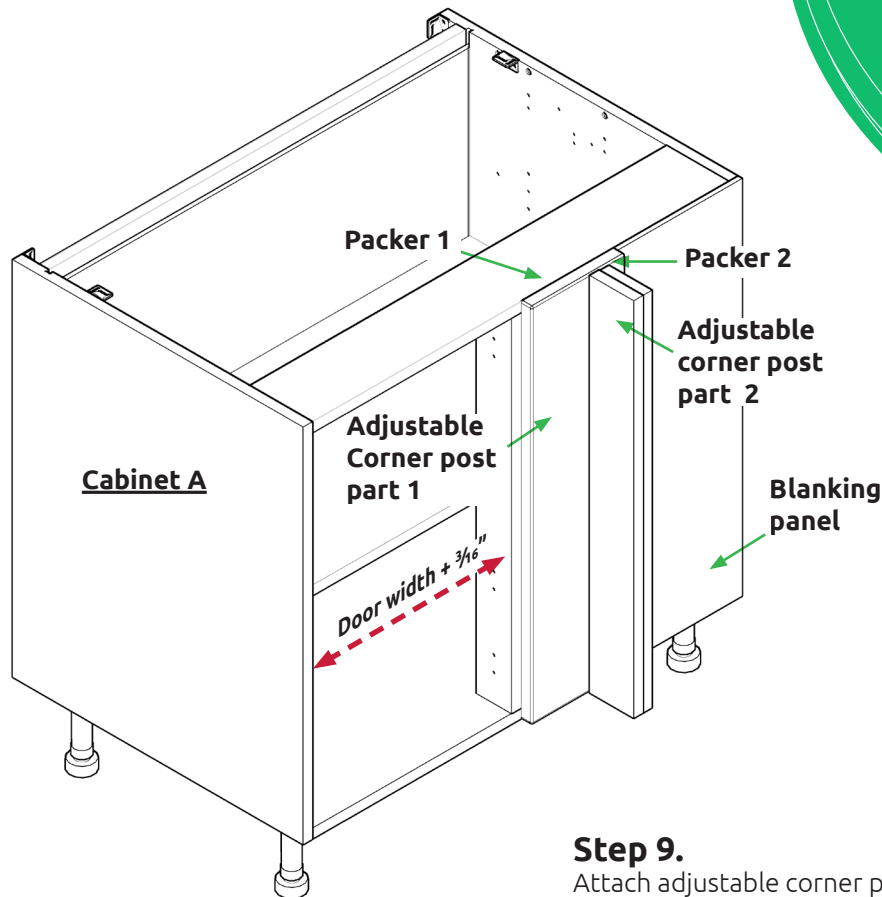


## Step 8.

Attach packer 2 to the rear face of adjustable corner post part 2 using appropriate screws.

# ADJUSTABLE CORNER BASE CABINET

## Fitting Guide



### Step 9.

Attach adjustable corner post to cabinet A, by screwing through packer 1 at four locations, using 4 x 1 1/4" screws (H).

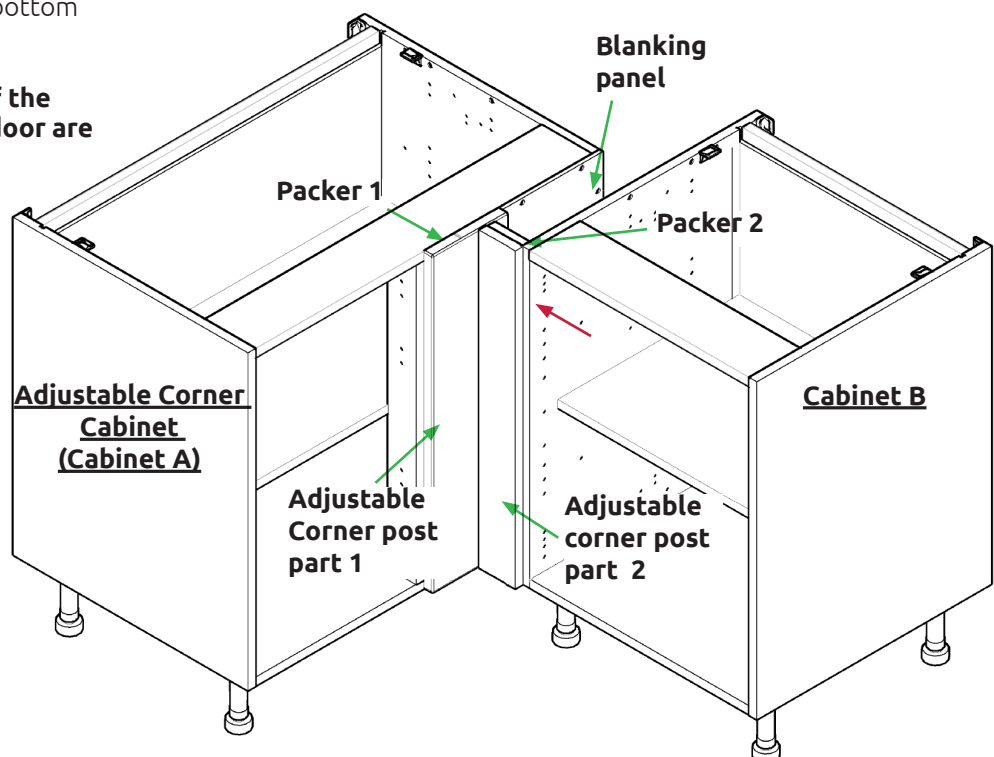
(for location refer to customer kitchen plan)

**Make sure that the distance between the front of the corner post and the external face of the end panel is the width of the door + 3/16" (4.5mm).**

### Step 10.

Secure cabinet B to the corner post by screwing through the end panel into packer 2 at the top and bottom of the cabinet.

**Make sure that the front of the adjustable corner and the door are aligned.**



### Step 11.

Place cover caps over visible screw heads to conceal them on the inside of cabinet B.

ADJUSTABLE  
CORNER

BASE CABINET

Fitting  
Guide

ADJUSTABLE  
CORNER

BASE CABINET

Fitting  
Guide

**wren**  
KITCHENS