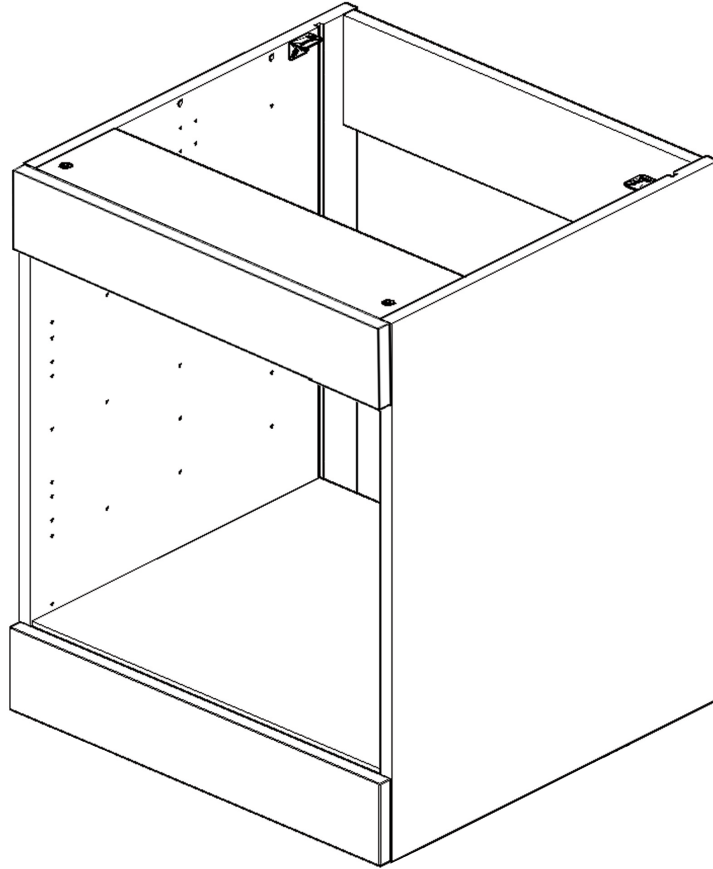


FRONTÄLS

BUILD UNDER OVEN
HOUSING FILLER

Attachment Guide



100 Filler

wren
KITCHENS

FRONTALS

BUILT UNDER OVEN HOUSING FILLER

Attachment Guide

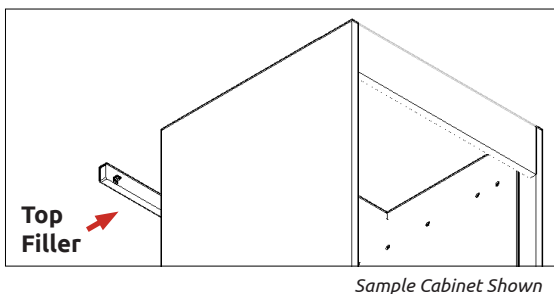
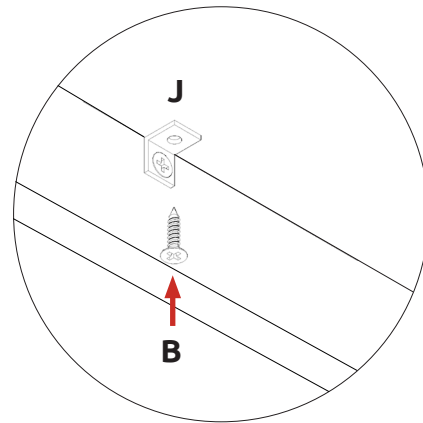
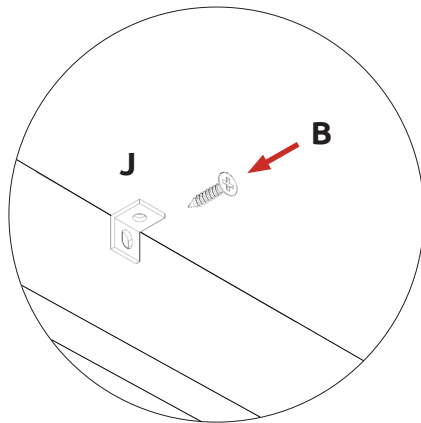
Step 1.

Secure L bracket SML (**J**) onto the inside face of the Top Filler, 11/16" from the side edges and 15/16" from the top edge of the filler as shown below, using 2 x 5/8" screws (**B**). Align so filler is in line with adjacent frontals.



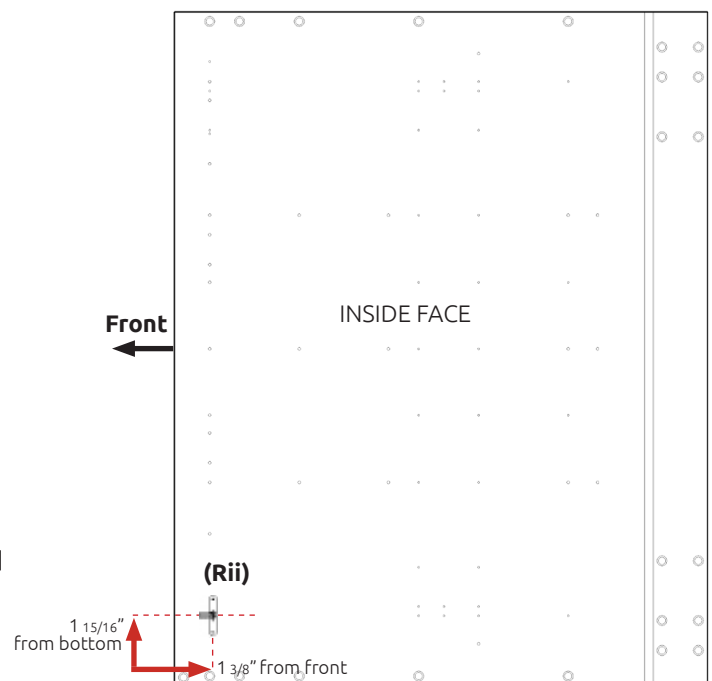
Step 2.

Secure the top filler with L bracket SML (**J**) to top of rail with 2 x 5/8" screws (**B**) as shown. **Ensure frontal is in line with adjacent units. Space appropriately from carcass.**



Step 3.

Secure both dummy fixing clip parts (**Rii**) onto the end panels using 2 x 5/8" screws (**B**) each, as shown. The centre hole is to be positioned 1 15/16" from the bottom of the panel and 1 3/8" from the front of the panel.

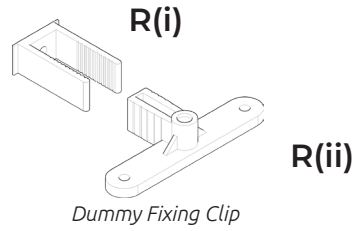
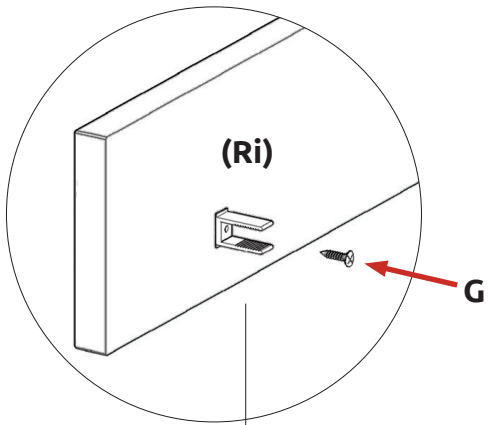


FRONTALS BUILT UNDER OVEN HOUSING FILLER

Attachment Guide

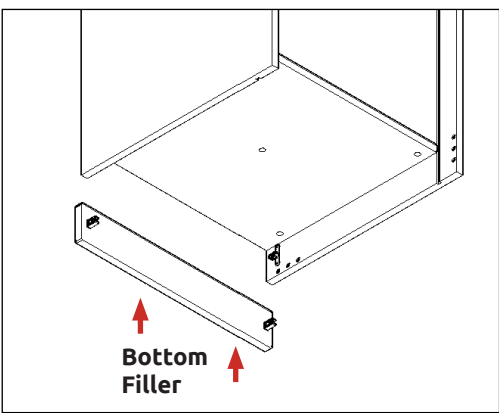
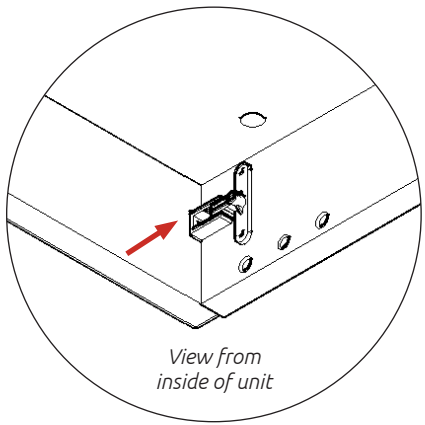
Step 4.

Secure dummy fixing clip **(Ri)** onto the inside face of the bottom filler, 1 15/16" from the side edges and 1 15/16" from the top edge, using 2x 13/16" screws **(G)**.

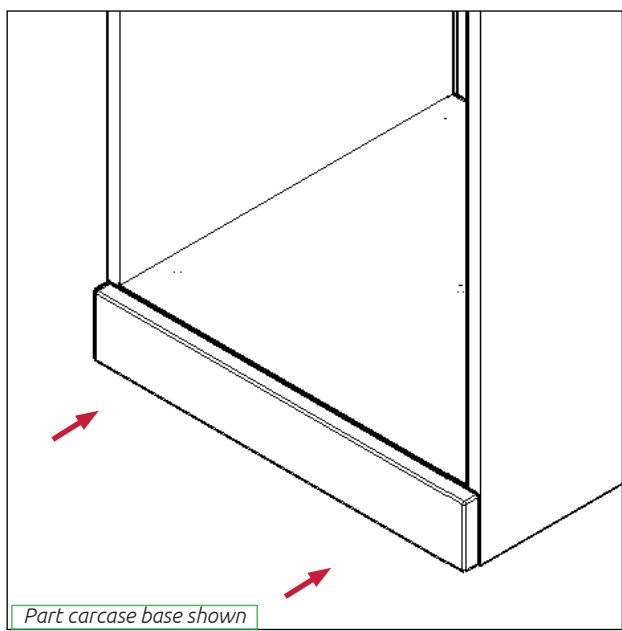


Step 5.

Align and push frontal into place until secure.



Sample Cabinet Shown



Part carcass base shown

wren
KITCHENS