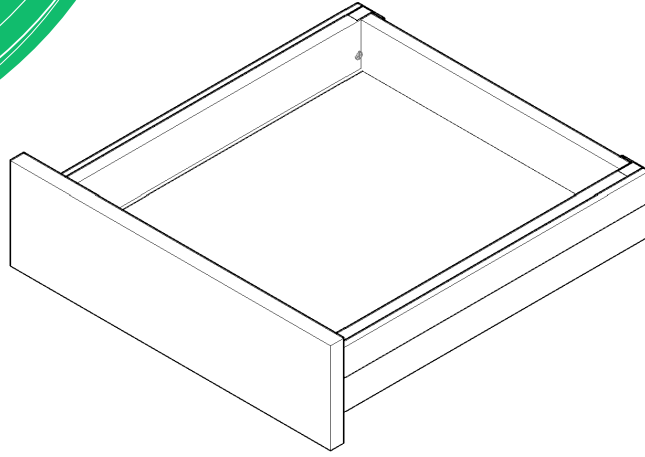


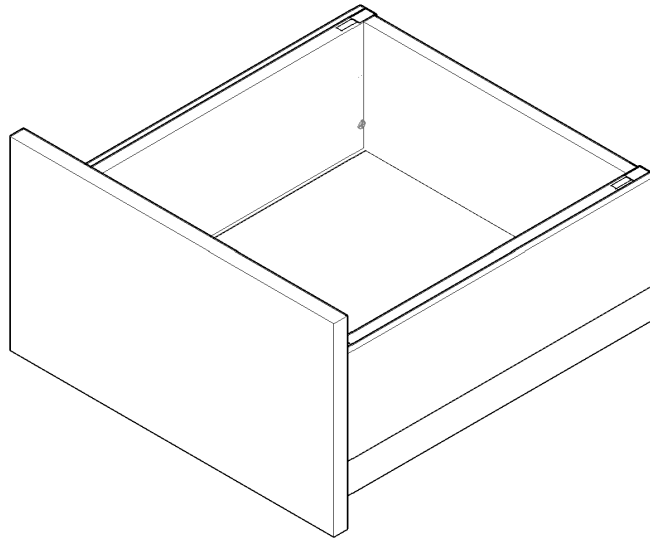
FRONTÄLS

INFINITY PLUS Attachment Guide

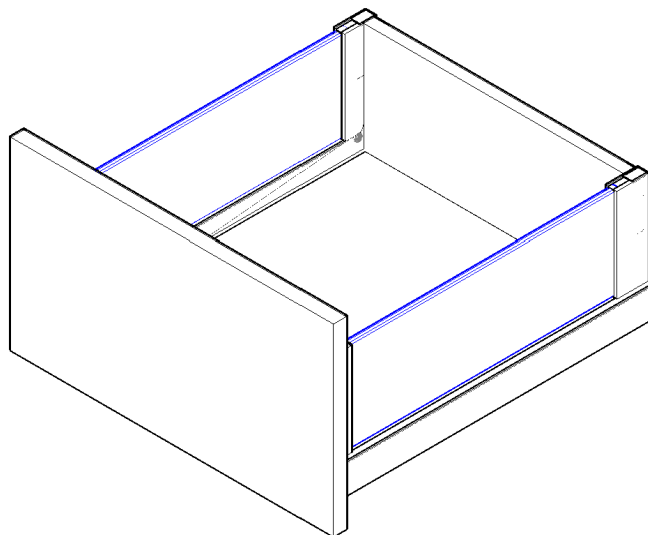
INFINITY PLUS



Standard Drawer



Deep Drawer



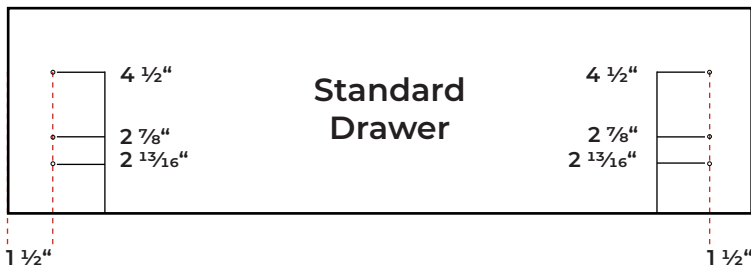
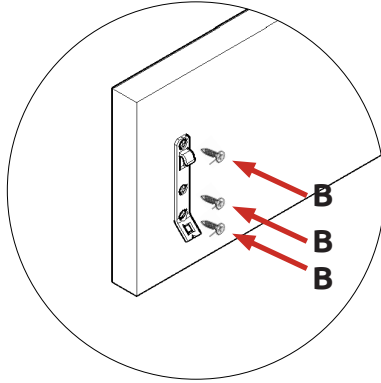
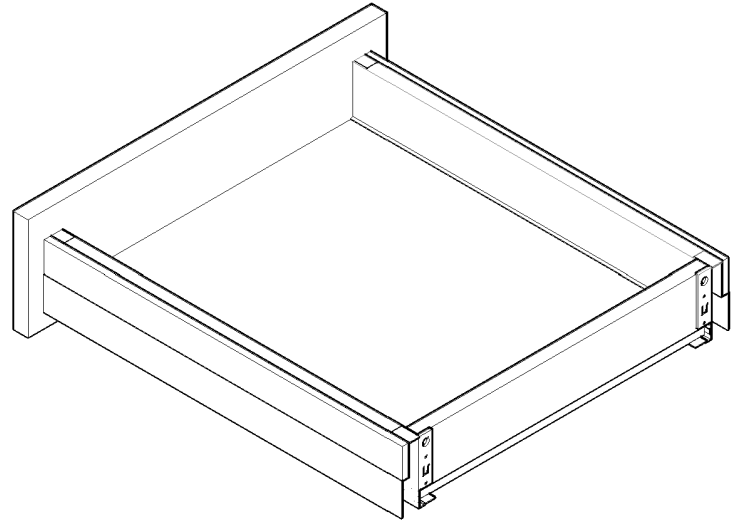
Glass Side



FRONTALS

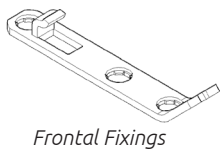
INFINITY PLUS Attachment Guide

STANDARD DRAWER



Step 1.

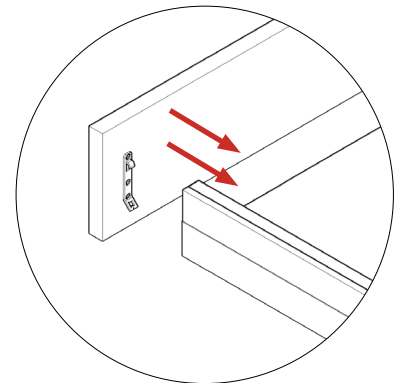
Attach the frontal fixings to the draw front using 3 x 5/8" screws (**B**) per bracket using the spiked positions.



Frontal Fixings

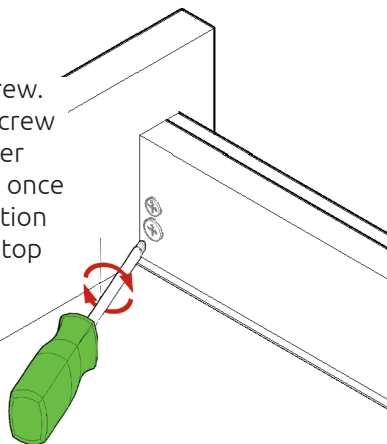
Step 2.

Attach the draw front by pushing the frontal onto the sides, aligning the mechanism with the fixings.



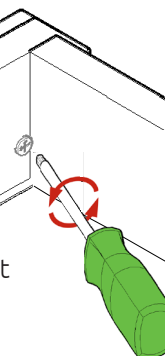
DRAWER FRONTAL ADJUSTMENT

Loosen top screw.
Turn bottom screw to adjust drawer frontal height, once in desired position re-tighten the top screw.

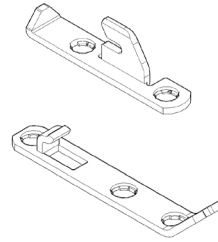
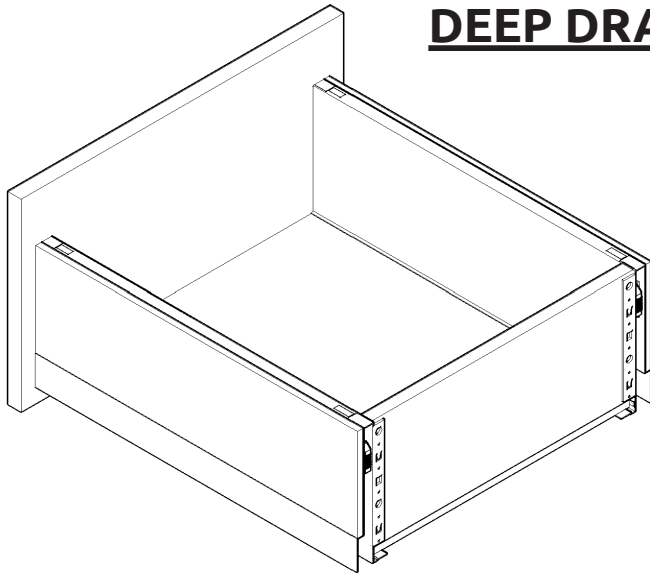


DRAWER REAR ADJUSTMENT

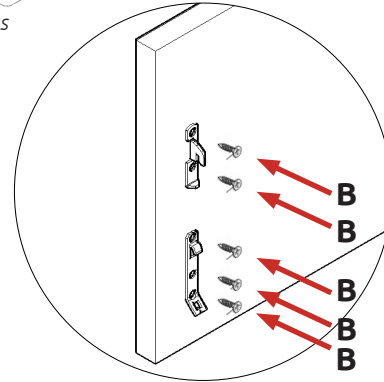
Turn screw to adjust rear elevation of drawer.



DEEP DRAWER

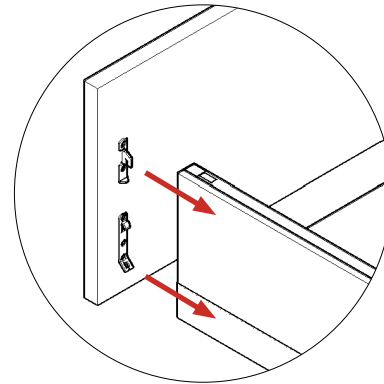
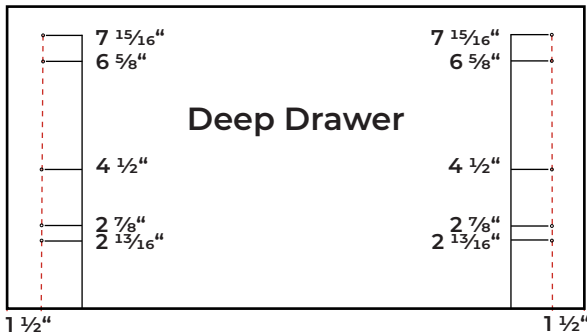


Frontal Fixings



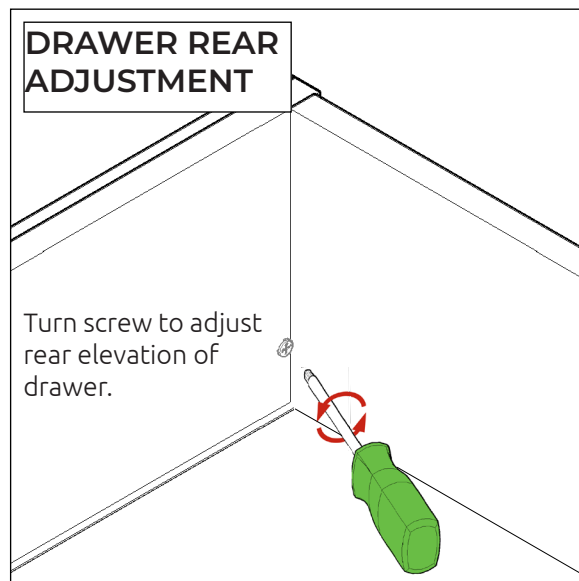
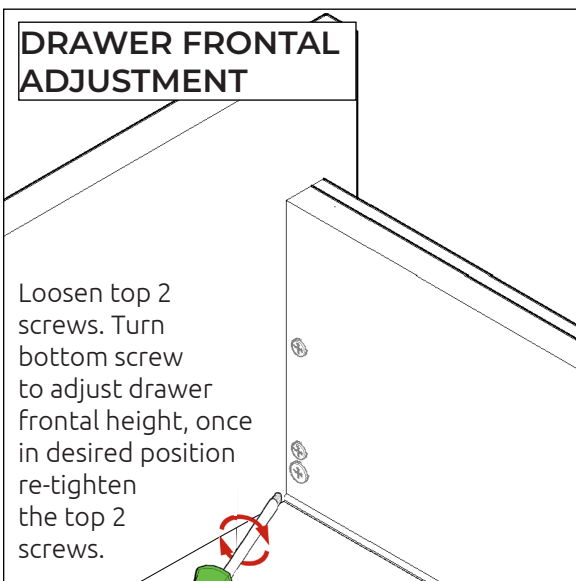
Step 1.

Attach the frontal fixings to the draw front using 3 x 5/8" screws **(B)** per bottom bracket and 2 x 5/8" screws **(B)** per top bracket using the spiked positions.



Step 2.

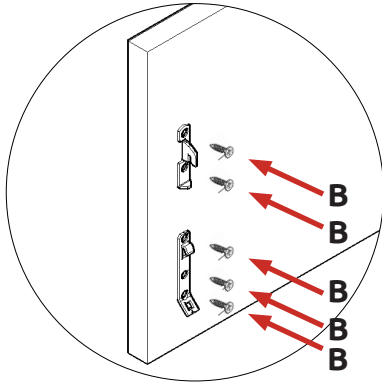
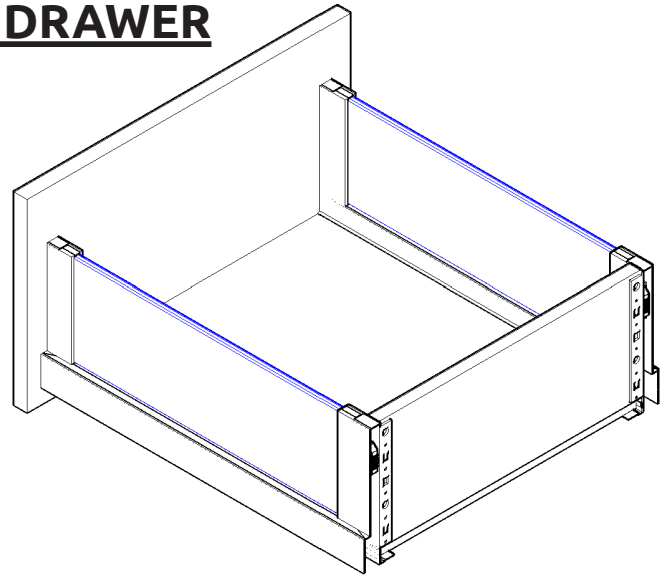
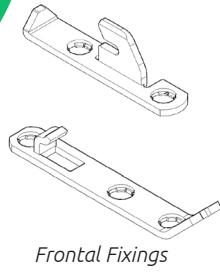
Attach the draw front by pushing the frontal onto the sides, aligning the mechanism with the fixings.



FRONTALS

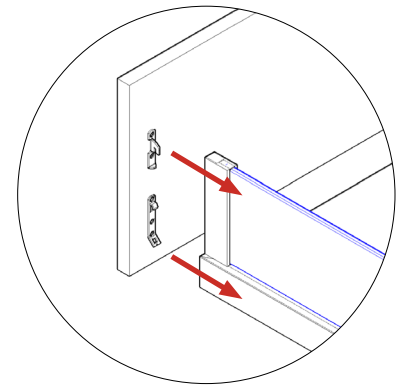
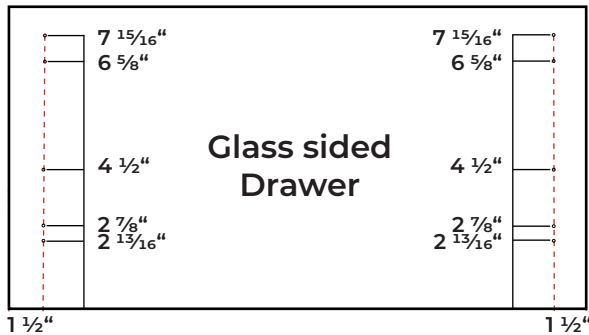
INFINITY PLUS Attachment Guide

DEEP DRAWER



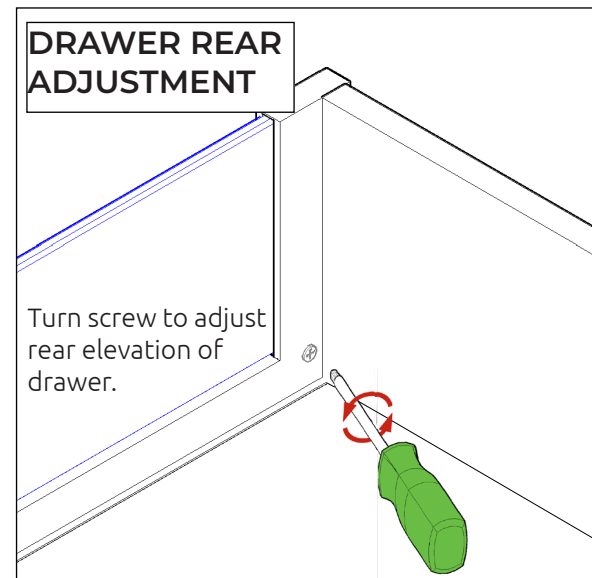
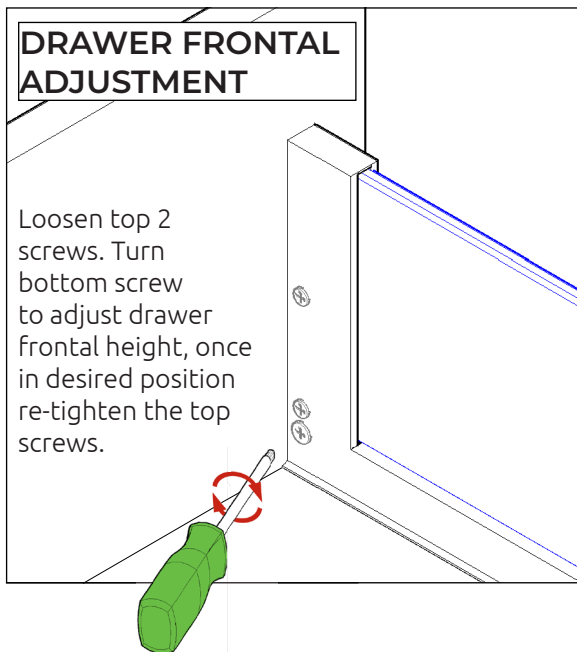
Step 1.

Attach the frontal fixings to the draw front using 3 x 5/8" screws (**B**) per bottom bracket and 2 x 5/8" screws (**B**) per top bracket using the spiked positions.



Step 2.

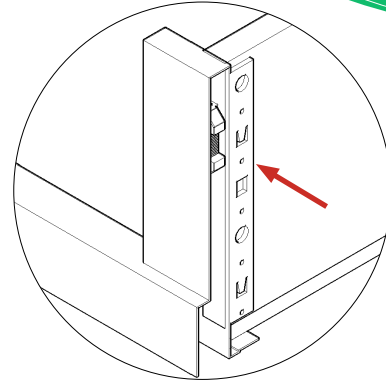
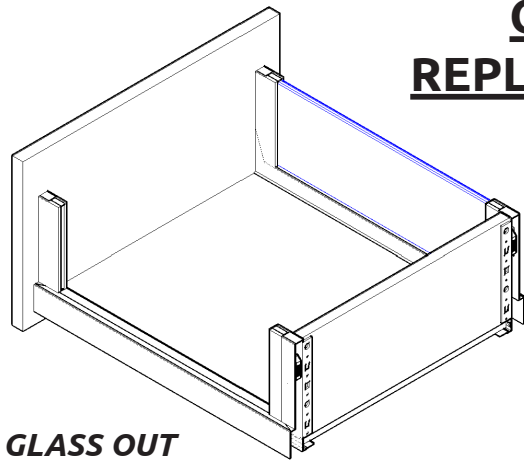
Attach the draw front by pushing the frontal onto the sides, aligning the mechanism with the fixings.



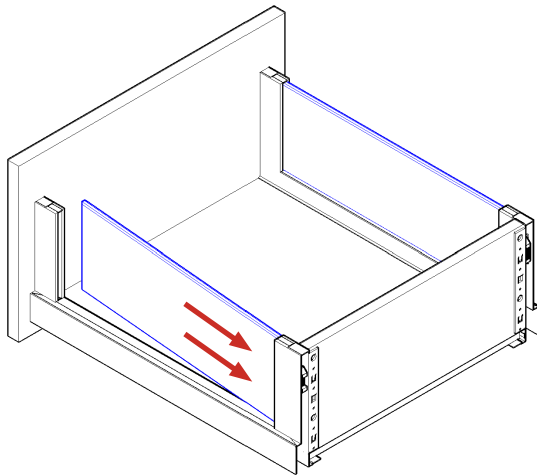
GLASS REPLACEMENT

FRONTALS

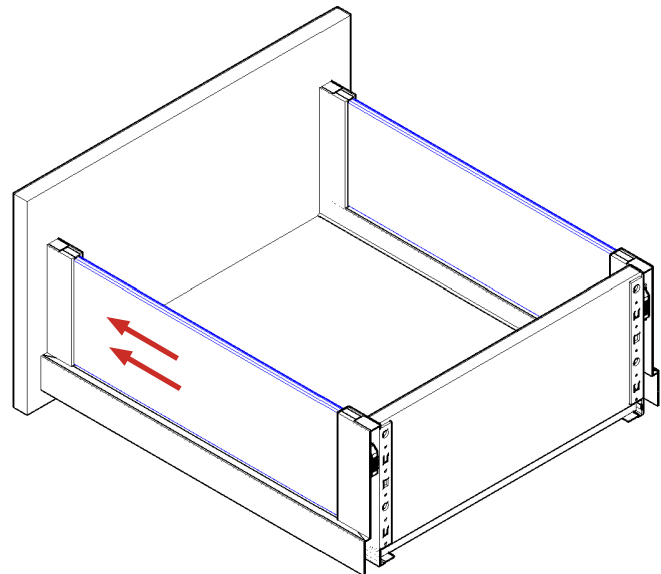
INFINITY PLUS Attachment Guide



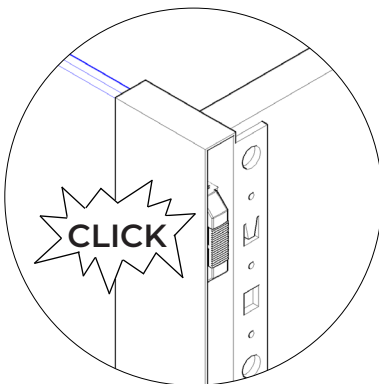
Step 1.
Fully press the rear fixing clip in.



Step 2.
Insert the glass into the rear slot of the side panel and rotate the glass parallel to the side of the drawer.



Step 3.
Slide the glass forward into the front slot of the drawer side, so that both ends of the glass are encapsulated within the side panel.



A CLICK will be heard once the glass is correctly located within the side panel of the drawer.

GLASS REMOVAL:

To remove the glass, reverse the installation process. Press the rear fixing clip in, then slide the glass backwards, towards the rear of the drawer. Once fully back the glass will be free to slide out on an angle from the side panel.

FRONTÄLS

INFINITY PLUS Attachment Guide

FRONTÄLS

INFINITY PLUS
Attachment
Guide

wren
KITCHENS